



# 2M CAMERA BOARD LI-LBCM2M1

## Product Introduction:

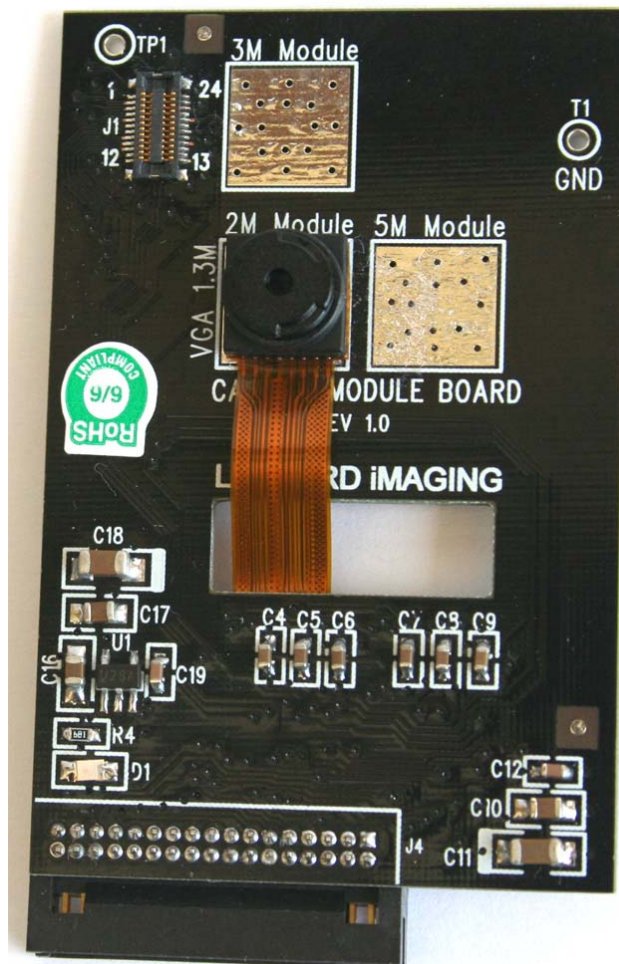
Leopard Imaging provides 2 Mega-pixel camera board, which has 2M resolution compact size modules on board.

## 2M Camera Board Main Features:

- Sensor: Aptina 1/4" CMOS Sensor MT9D112
- # of Pixels: 2Mega (1600 x 1200 pixels)
- Output Data Format: YUV (YCbCr)
- Optical Filter: Infrared Coating at 650nm+/-10nm
- Focal Length, F#:  $f=3.79\pm 0.1\text{mm}$ ,  $F2.0\pm 5\%$
- Vertical View Angle:  $61^\circ$
- Focus Distance: 120cm+/-2cm
- Focus Range: 60cm to Infinity
- RoHS Compliance

## Part Number:

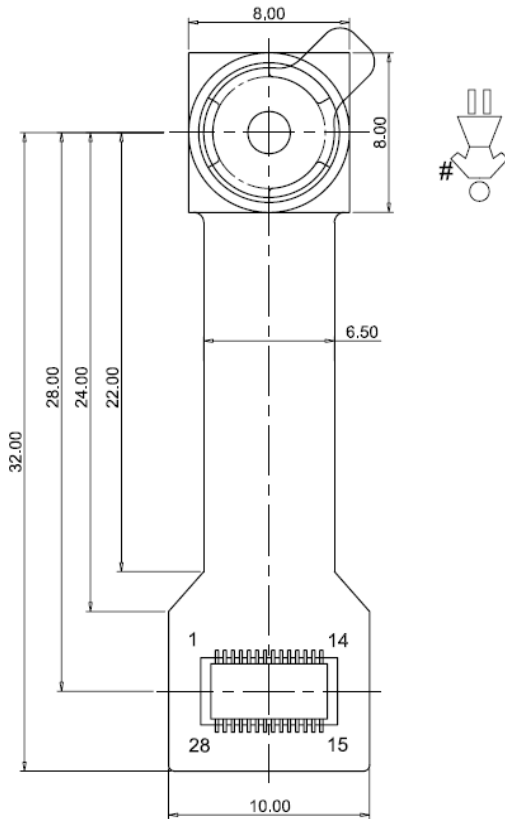
Camera Module Part Number: **LI-LBCM2M1**





# 2M CAMERA BOARD LI-LBCM2M1

## 2M Camera Module Mechanical Size:



## 2M Camera Module Connector Pin Assignment:

Pin No.	Name	Pin No.	Name
1	D2	15	HSYNC
2	D3	16	MCLK
3	D4	17	DGND
4	D5	18	SDATA
5	D6	19	SCLK
6	D7	20	RESET
7	D8	21	STANDBY
8	D9	22	SADDR
9	PCLK	23	D0
10	DVDD(1.8V)	24	D1
11	DOVDD(2.8V)	25	NC
12	AGND	26	NC
13	AVDD(2.8V)	27	NC
14	VSYNC	28	NC

# Mouser Electronics

## Related Product Links

[931-LI-LBCM2M1 - Leopard Imaging LI-LBCM2M1](#)