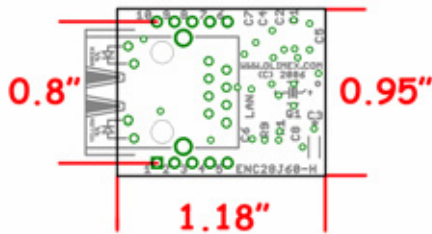




ENC28J60-H is world's smallest Ethernet controller development board with it's size of only 30x24 mm. It provides easy connection to any microcontroller with only few ports via SPI which makes it perfect for adding Ethernet connectivity to embedded applications.

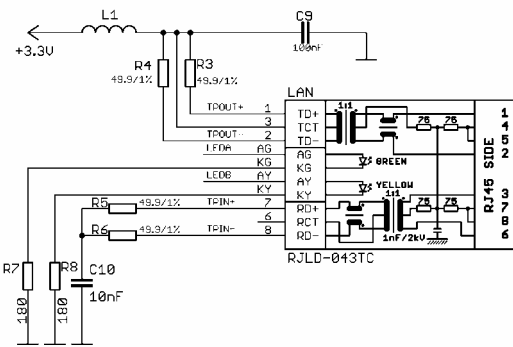
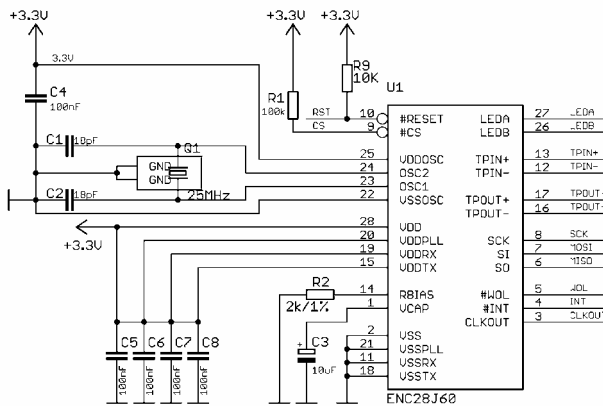
The module features are:

- **ENC28J60** 10 Mbit Ethernet controller
- on-board RJ45 connector with build in Ethernet transformer and two status LEDs
- easy interface to any microcontroller via SPI
- compact size in DIL 10 pin format, the distance between pin rows is 0.8"
- PCB: FR-4, 1.5 mm (0,062"), green soldermask, white silkscreen component print
- Dimensions: 30x24 mm (1.18x0.95")



Sample code for driving ENC28J60 with PIC microcontrollers is available on our web page.

ENC28J60-H schematic:



COPYRIGHT (C) 2006, OLIMEX LTD
<http://www.olimex.com/dev>

