

**SAFE ST7
EVALUATION BOARD
(ST7FOPTIONS-EVAL)**

USER MANUAL

June 2002

DOC- ST7FOPTIONS-EVAL

USE IN LIFE SUPPORT DEVICES OR SYSTEMS MUST BE EXPRESSLY AUTHORIZED.
STMicroelectronics PRODUCTS ARE NOT AUTHORIZED FOR USE AS CRITICAL COMPONENTS IN
LIFE SUPPORT DEVICES OR SYSTEMS WITHOUT THE EXPRESS WRITTEN APPROVAL OF
STMicroelectronics. As used herein:

1. Life support devices or systems are those which (a) are intended for surgical implant into the body, or (b) support or sustain life, and whose failure to perform, when properly used in accordance with instructions for use provided with the product, can be reasonably expected to result in significant injury to the user.
2. A critical component is any component of a life support device or system whose failure to perform can reasonably be expected to cause the failure of the life support device or system, or to affect its safety or effectiveness.



SAFE ST7 EVALUATION BOARD USER MANUAL

1 INTRODUCTION

The objective of the Safe ST7 Evaluation Board is to allow you to try out all the special features embedded in the ST72F26x MCU family. You can learn how each feature works and how to use them the best way by playing with the user controls and jumper settings. For example, you can check out what happens to your application when the voltage becomes erratic or the clock signal suddenly fails.

Examples of what you can do:

- Save application data in E2PROM when a power cut occurs and/or the main clock source fails (using the AVD and CSS options). Prove it works by resuming the application exactly where it left off after restoring the data saved by the AVD interrupt routine.
- Drive LEDs directly (using the MCU's high sink current I/O ports)
- Experiment with different clock sources: external crystal or ceramic resonator, internal RC oscillator, external clock signal. The advantages of the internal RC: less cost, less components, less power consumption!
- Check out the safe operation of the MCU in varying supply voltage conditions. You change the voltage using a trimmer. The voltage level is displayed on a 3-digit display. The LVD will automatically hold the MCU in reset state while the voltage is below the safe threshold. No need for an external reset circuit so more savings in board space and components.
- Select different power sources, on-board 9V battery or external power supply
- Change E²PROM data or Flash program memory on-the-fly using In-Application Programming (IAP)
- Use Nested interrupts to let you interrupt an interrupt routine, service a higher priority interrupt and resume the one previously being serviced.

This evaluation board incorporates basic input sources such as push-buttons, analog trimmer or output sources (LEDs, 7-segment displays, buzzer) and a wire-wrap area so you can easily develop your own application.

The following development tools can be ordered separately: assembler, linker, C compiler, source level debugger, hardware emulator, programming boards and gang programmer.

For ordering information, see our website at <http://mcu.st.com> or contact your local sales office.

Table of Contents

1 INTRODUCTION	1
2 SAFE ST7 EVALUATION BOARD DESCRIPTION	4
2.1 OVERVIEW	4
2.2 BOARD FEATURES	5
2.3 POWER SUPPLY	6
2.4 OSCILLATION SYSTEM	6
2.5 ICP (IN-CIRCUIT PROGRAMMING) CONNECTOR	7
2.6 I²C SERIAL COMMUNICATION	8
2.7 SPI SERIAL COMMUNICATION	8
2.8 I/O PORT FUNCTIONALITY	9
2.8.1 Port A	9
2.8.2 Port B	9
2.8.3 Port C	9
2.9 JUMPER DESCRIPTIONS	10
2.9.1 W2 - Variable voltage enable/disable	10
2.9.2 W3 - Board reference voltage selection	10
2.9.3 TP4 and TP5 - GND and VDD pins	10
2.9.4 W6 - MCU power consumption	10
2.9.5 W4 and W5 - Source clock selection	10
2.9.6 W8 and W9 - External interrupts enable/disable	10
2.9.7 W10 - Buzzer enable/disable	11
2.9.8 TP1, TP2 and TP3 - Port connectors	11
2.9.9 W15 - LEDs enable/disable	11
2.9.10W13 and W14 - Analog inputs enable/disable	11
2.9.11W12 - High Sink I/O test enable/disable	11
2.9.12W16, W17 and W18 - 7 seg Displays enable/disable	11
2.9.13W1 - ICP Connector	11
2.9.14W7 - I ² C connector	11
2.9.15JP11 - SPI Connector	11
3 SOFTWARE DESCRIPTION	12
3.1 OPTION BYTE CONFIGURATION	12
3.2 MAIN MCU INITIALIZATION ROUTINE	13
3.3 COUNTERS AND USE OF TIMING RESOURCES	13
3.4 INTERRUPT SERVICE ROUTINES	13

3.5 MAIN PROGRAM ROUTINE	13
3.6 OPERATING THE DEMOS	15
3.6.1 Running the LVD Demo	18
3.6.1.1 LVD Demo Description	18
3.6.2 Running the AVD Demo	19
3.6.2.1 AVD Demo Description	19
3.6.3 Running the CSS Demo	20
3.6.3.1 CSS Demo Description	21
3.6.4 Running the High I/O current demo	21
3.6.4.1 High Sink Demo Description	22
3.6.5 Running the IAP demo	22
3.6.5.1 IAP Demo Description	23
3.6.6 Running the Nested & Concurrent Interrupts demo	24
3.6.6.1 Nested & Concurrent Interrupts Demo Description	25
4 APPENDIX 1: SAFE ST7 EVALUATION BOARD SCHEMATIC	26

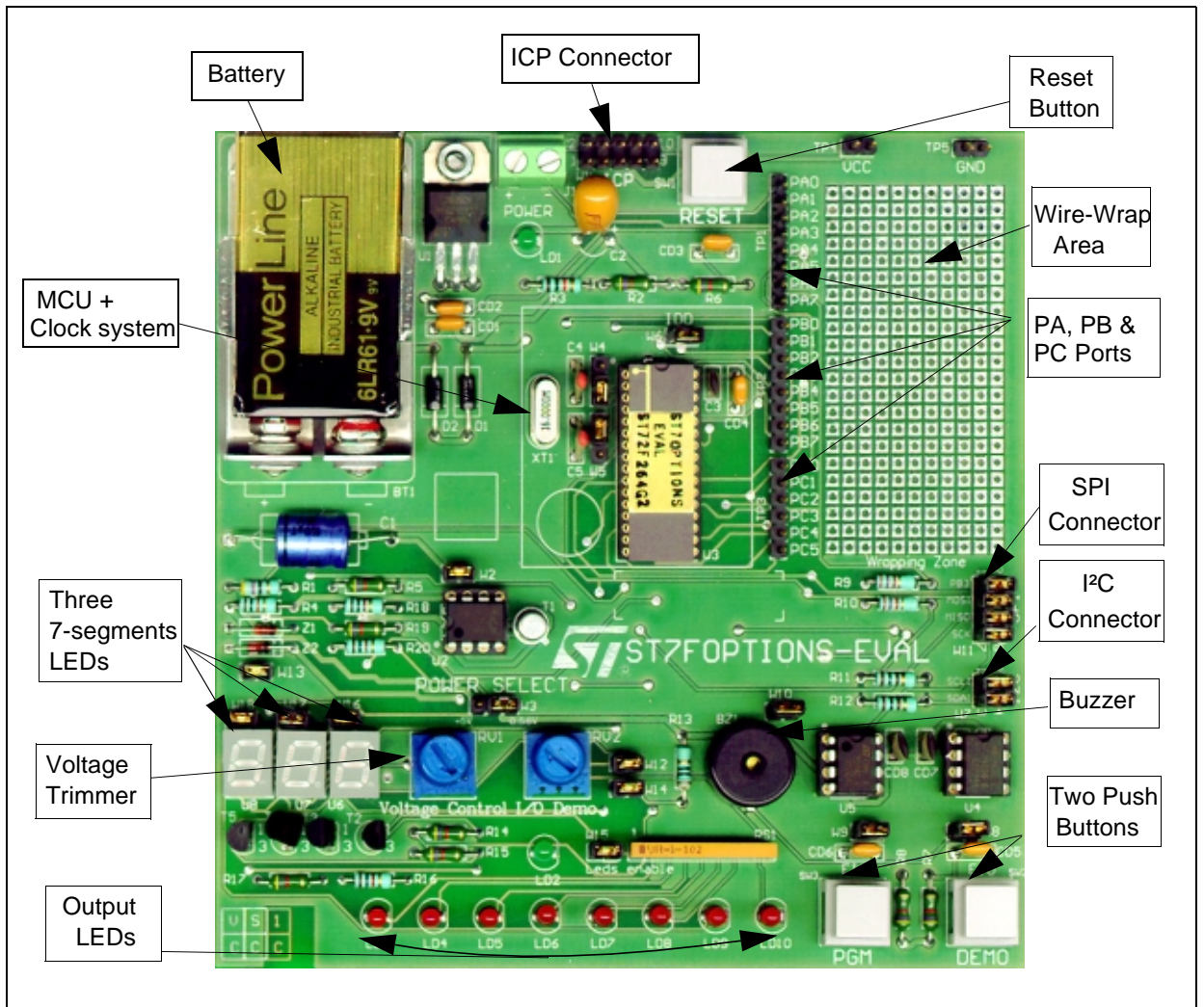
2 SAFE ST7 EVALUATION BOARD DESCRIPTION

The Safe ST7 Evaluation Board is designed to support any of the SDIP32 package devices from the ST72F264 family (ST72F264, 262, 260).

2.1 OVERVIEW

This board is supplied ready-to-use, to let you try out all the functions described in this manual. The board is delivered with a SDIP32 socket. You will have to build an adapter if you need evaluate the ST72F264 in other packages. Additional hardware functions can be implemented by installing components in the wire-wrap area as shown in [Figure 1](#) below.

Figure 1. Safe ST7 Evaluation Board layout



For more details, please refer to the schematic drawing in the appendix.

The main Safe ST7 Evaluation Board components are:

- Socketed ST72F264
- 16MHz crystal
- Reset pushbutton
- ICP connector
- Socketed I²C 8K byte EEPROM (M24C08)
- Socketed SPI 4K byte EEPROM (M95040)
- 2 pushbuttons for external interrupts
- 22 pins for expansion ports
- Row of 8 LEDs for displaying binary values
- Three 7-segment LEDs
- High efficiency LED
- Potentiometer for main voltage variation
- Potentiometer for I/O current variation
- 9-volt battery
- Buzzer
- Wire-Wrap area

2.2 BOARD FEATURES

- Low voltage detector (3 levels programmable by option bytes)
- Auxiliary voltage detector
- Multi-Oscillator and Clock Security System
- High Sink/source current
- Nested/ Concurrent Interrupts
- In-Application Programming
- In-Circuit Programming
- I²C & SPI communications interfaces
- 10-bit ADC

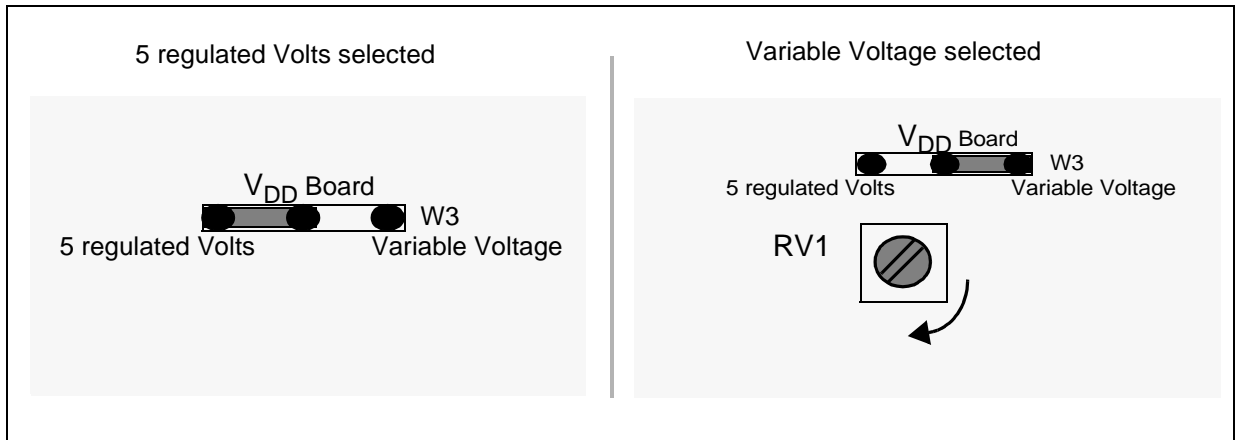
2.3 POWER SUPPLY

This board is supplied with a PP3 9-volt battery demonstrating the board's low power consumption. A complementary DC power supply input (ref. J1) is provided to supply the board by external (9 to 13 Volt) power. When using this power supply, take care to respect the polarities marked next to the two-pole connector.

Warning: Disconnect the battery from its socket when the Safe ST7 Evaluation Board is not in use.

The reference voltage on board (V_{DD}) is selected through the W3 jumper. You can choose between two reference voltages, either a regulated 5 volts and or a voltage that varies, by moving the R5 trimmer position, from 0 to 5.6 Volts as shown in [Figure 2](#).

Figure 2. How to Change the Board Voltage Reference



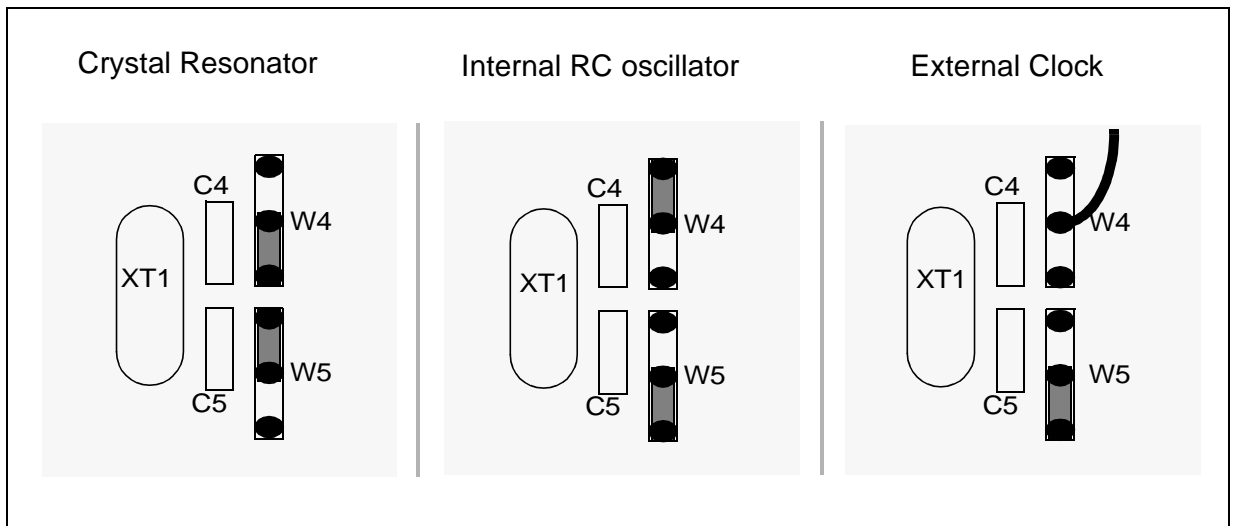
The 1N4004 diodes provide for polarity protection and the LD1 LED provides an indication that power is being supplied to the board.

2.4 OSCILLATION SYSTEM

The board is designed to be used with an on-board 16-MHz crystal. This allows you to configure the CPU frequency up to 8 MHz.

The oscillator system is designed to fit a range of application needs, and you can choose between three different sources using the W4 and W5 jumpers as shown in [Figure 3](#).

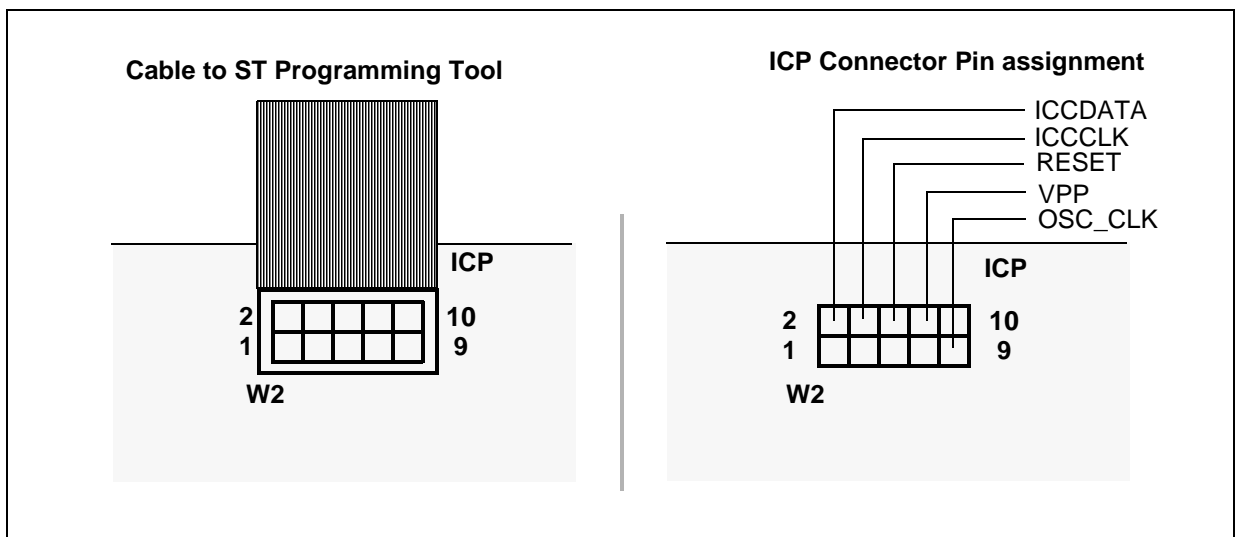
Figure 3. How to Change the Oscillator Frequency Source



2.5 ICP (IN-CIRCUIT PROGRAMMING) CONNECTOR

You can use In Circuit Programming (ICP) to update the entire contents of the Flash memory (including option bytes) using the ICC protocol. [Figure 4](#) shows the connector pin assignment. If you are connecting an ST Programming Tool to Safe ST7 Evaluation Board just connect cable provided with the ST Programming Tool to the ICP connector "W2" and then power on the board.

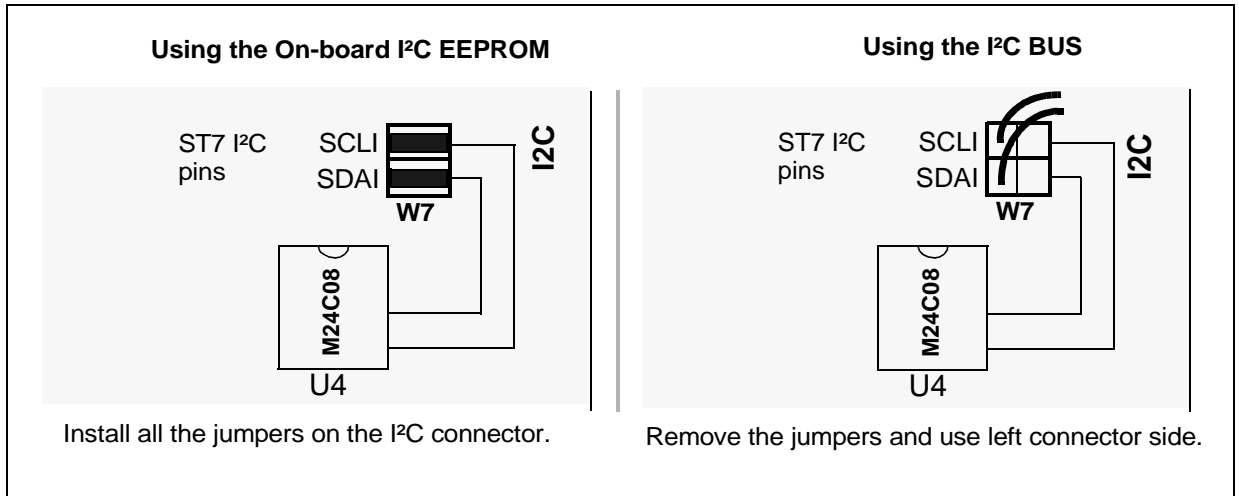
Figure 4. How to use the ICP Connector



2.6 I²C SERIAL COMMUNICATION

An external 8 Kb EEPROM memory with an I²C serial interface is connected to the I²C pins of the ST7 socket as shown in the following figure. The serial EEPROM may also be disconnected and the I²C bus used for other communications.

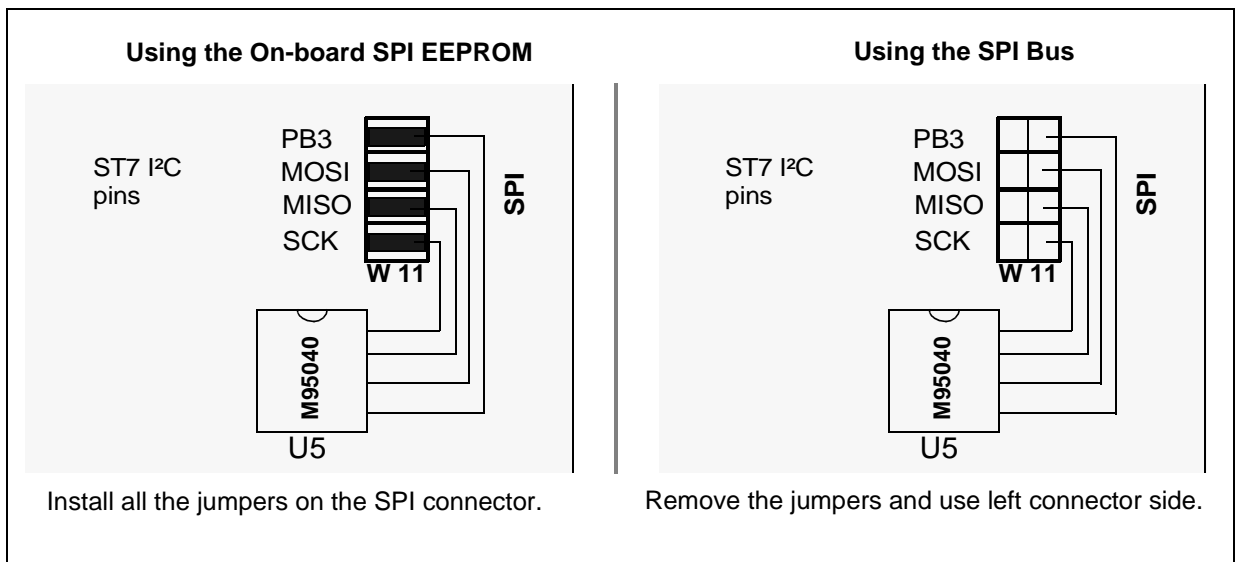
Figure 5. How to use the I²C Connection



2.7 SPI SERIAL COMMUNICATION

An external 4 Kb EEPROM memory with an SPI serial interface is connected to the SPI pins of the ST7 socket as shown in the following figure. The serial EEPROM may also be disconnected and the SPI bus used for other communications.

Figure 6. How to use the SPI Connection



2.8 I/O PORT FUNCTIONALITY

All I/O port pins are accessible through external connectors (TP1 for port A, TP2 for port B and TP3 for port C).

2.8.1 Port A

The PA0 and PA1 pins are connected to the ICP connector using their alternate functions, ICCLK and ICCDATA.

The PA2 and PA3 pins are used to enable the U6 and U7 7-segment LED displays (useful for multiplexing).

The PA5 pin can be used to generate an external interrupt (ei0). It is connected to the ground via the SW2 push-button switch .

The PA4 and PA6 pins alternate functions (SCLI and SDAI) are used for connecting an I²C communication with the external I²C EEPROM.

PA7 is used to exercise the high sink I/O current capability through the High efficiency LED.

Table 1. Port A Alternate Functions

PA0	ICCLK	In Circuit Communication Clock
PA1	ICCDATA	In Circuit Communication Data
PA2		
PA3		
PA4	SCLI	I ² C Clock
PA5	TDI	SCI output
PA6	SDAI	I ² C Data
PA7	TDO	SCI input

2.8.2 Port B

This port is connected simultaneously to 8 LEDs and to the three 7-segment displays. It can be used to display 8 bits of binary data.

Table 2. Port B Alternate Functions

PB0	ICAP1_A	Timer A Input Capture 1
PB1	OCMP1_A	Timer A Output Compare 1
PB2	ICAP2_A	Timer A Input Capture 2
PB3	OCMP2_A	Timer A Output Compare 2
PB4	MOSI	SPI Master Out Slave In Data
PB5	MISO	SPI Master In Slave Out Data
PB6	SCK	SPI Serial Clock
PB7	SS	SPI Slave Select

2.8.3 Port C

The PC0 pin can be connected to ground via the SW3 push-button in order to generate an external interrupt (ei1).

The PC1/OCMP1_B pin can be connected to a buzzer through the W10 jumper .

The PC2 pin is used to enable the output signal to the LEDs. A high level on PC2 enables the logic states programmed by port B to be output on the 8 LEDs.

The PC3 pin is used to enable the U8 7-segment LEDs display (useful for multiplexing).

The PC4/AIN4 pin can be used through the W14 jumper as in analog input to measure the voltage level of R13.

The PC5/AIN5 pin can be used through the W13 jumper as in analog input to measure the VREF voltage.

Table 3. Port C Alternate Functions

PC0	ICAP1_B / AIN0	Timer B Input Capture 1	Analog Input 0
PC1	OCMP1_B / AIN1	Timer B Output Compare 1	Analog Input 1
PC2	CLKOUT / AIN2	CPU Clock Out	Analog Input 2
PC3	ICAP2_B / AIN3	Timer B Input Capture 1	Analog Input 3
PC4	OCMP2_B / AIN4	Timer B Output Compare 1	Analog Input 4
PC5	EXTCLK_A / AIN5	Timer A External Clock	Analog Input 5

2.9 JUMPER DESCRIPTIONS

2.9.1 W2 - Variable voltage enable/disable

This jumper allows you to disable the variable voltage and thus reduce the total power consumption of the board and extend battery life.

2.9.2 W3 - Board reference voltage selection

Refer to [Section 2.3 POWER SUPPLY](#).

2.9.3 TP4 and TP5 - GND and V_{DD} pins

These spare ground and V_{DD} pins are for test purposes or for providing power to components in the wire-wrap area.

2.9.4 W6 - MCU power consumption

This jumper is only for connecting to the MCU power supply. Its main purpose is to allow you to measure the current consumption of the μC by connecting a DC-ammeter in series.

2.9.5 W4 and W5 - Source clock selection

Please refer to [Section 2.4 Oscillation system](#).

2.9.6 W8 and W9 - External interrupts enable/disable

Those two jumpers allow you to disconnect the two push-buttons SW2 and SW3 from the PA5 and PC0 pins respectively.

2.9.7 W10 - Buzzer enable/disable

This jumper allows you to use the buzzer by connecting it to the PC1 pin.

2.9.8 TP1, TP2 and TP3 - Port connectors

These jumpers allow you to access all I/O ports.

2.9.9 W15 - LEDs enable/disable

This jumper is used to connect the LEDs to ground through the resistor network. It is recommended to remove the jumper from the board if this feature is not used.

2.9.10 W13 and W14 - Analog inputs enable/disable

These jumpers are for measuring the Vref analog voltage and the voltage through R13. Removing them will disable those two features (The measurement of the V_{DD} voltage value and the measurement of the current driven through the high efficiency LED).

2.9.11 W12 - High Sink I/O test enable/disable

This jumper lets you enable or disable the High efficiency LED.

2.9.12 W16, W17 and W18 - 7 seg Displays enable/disable

These jumpers allow you to enable/disable the three 7-seg displays (useful for multiplexing).

2.9.13 W1 - ICP Connector

Please refer to [Section 2.5 ICP \(In-Circuit Programming\) connector](#).

2.9.14 W7 - I²C connector

Please refer to [Section 2.6 I²C serial communication](#).

2.9.15 JP11 - SPI Connector

Please refer to [Section 2.7 SPI serial communication](#).

3 SOFTWARE DESCRIPTION

This part gives a short description of the whole program as a main routine that uses many other functions and several drivers. The configuration of the microcontroller and also the configuration of option bytes is described first, followed by an overview of the main program structure. Finally, we will provide a detailed description of how to use the board's features.

3.1 OPTION BYTE CONFIGURATION

Option bytes are only accessed using In-Circuit Programming or an ST programming tool such as an EPB. In this case, the option bytes are configured as described below.

- Watchdog is configured to be enabled by software and to allow the MCU to enter Halt Mode (no reset on Halt).
- The LVD threshold is fixed to the medium value.
- Sector 0 size is 4 Kbytes.
- No program memory protection.
- Port C external interrupt mapping is configured as ei1.
- The clock security system is always on.
- Oscillator type is resonator oscillator.
- Oscillator range is between 8 and 16 MHz.

Table 4. Option byte configuration

EXTIT	CSS	OSC TYPE1	OSC TYPE0	OSC RNGE2	OSC RNGE1	OSC RNGE0	PLL OFF
1	0	0	0	0	1	1	1

WDGHALT	WDG SW	VD1	VD0	SEC1	SEC0	FMP R	FMP W
0	1	0	1	1	1	0	0

3.2 MAIN MCU INITIALIZATION ROUTINE

This routine initializes the MCU as follows:

- MISCR (miscellaneous register): external interrupts trigger on falling edge, no slow mode and $f_{CPU}=8$ MHz.
- Port A: PA7 (Driving the High efficiency LED) is an open drain output, PA6 & PA4 used by I²C as input without interrupt, PA5 (Push-button) used as floating input with interrupt, PA2 & PA3 (multiplexing 7-seg displays) as push-pull outputs.
- Port B: used as push pull output to display data.
- Port C: PC5 & PC4 as ADC alternate inputs, PC3 as push-pull output (multiplexing 7-seg displays), PC2 to select the LED bank (push-pull output), PC1 to drive the buzzer and PC0 as an input with interrupt (push-button).

3.3 COUNTERS AND USE OF TIMING RESOURCES

- Timer A is used as a real time clock that provides a precise time base for all program routines. Timer A interrupt is enabled.
- Timer B is mainly used to drive the buzzer using PWM mode without interrupts.

3.4 INTERRUPT SERVICE ROUTINES

- **Timer A interrupt:** increment (circular buffer) several global counters used as time counters when the free running counter reaches the calculated value.
- **AVD interrupt:** saves the current mode when the power drops and, if we are in AVD mode, the last displayed digits are saved in the external I²C EEPROM using the I²C driver.
- **ei1 Interrupt:** this interrupt is used to wake-up the microcontroller from idle mode (HALT) and also it increments a circular variable used by the main program to enter the corresponding test.
- **ei0 Interrupt:** this interrupt is used to test concurrent and nested interrupts.

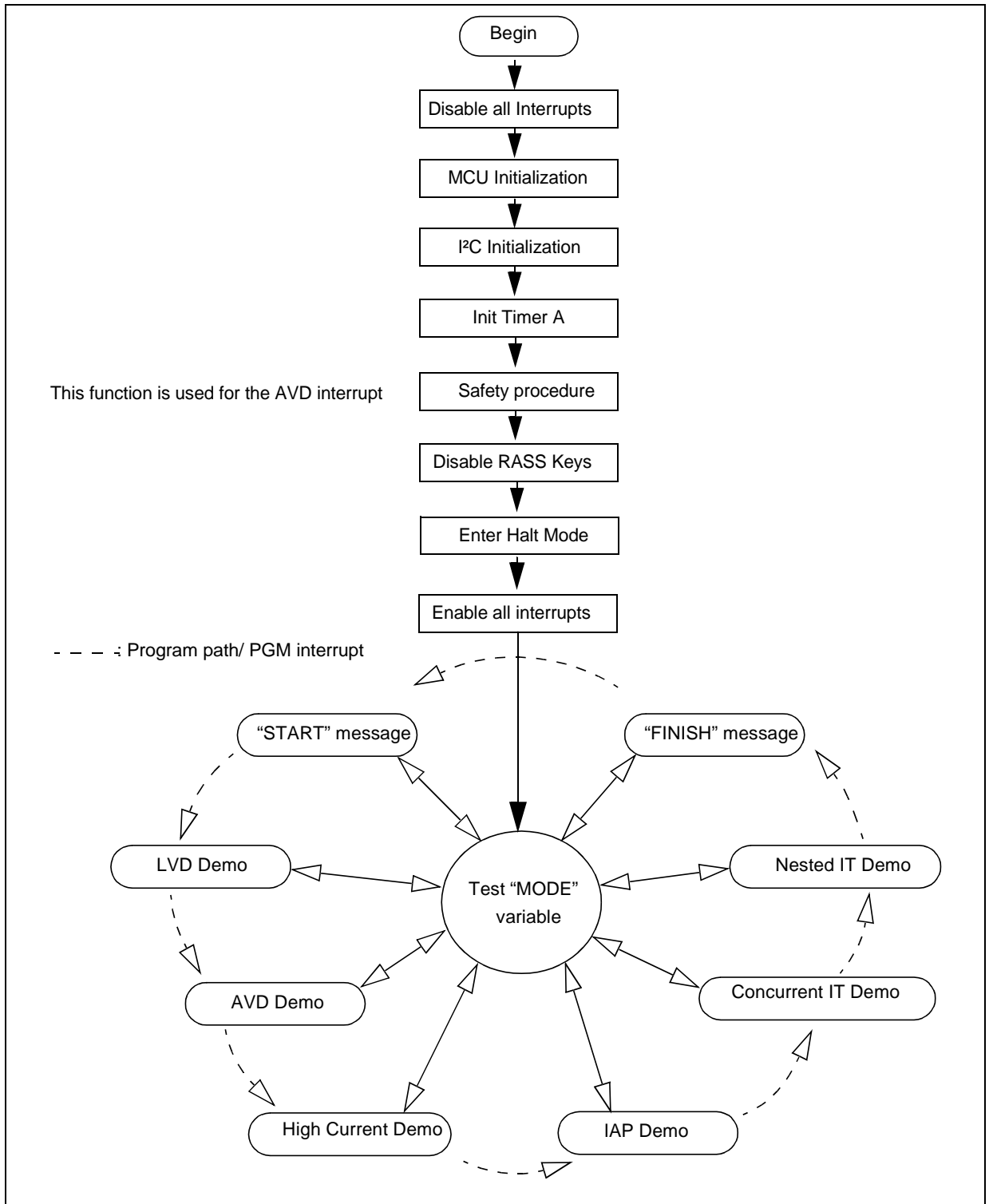
3.5 MAIN PROGRAM ROUTINE

The main program includes the initialization code and an endless loop that processes the pushbutton inputs. In fact, after initialization and enabling interrupts, the main program will continue running in an infinite loop and wait for an external interrupt to switch to one of the demo routines: (LVD, AVD/CSS, High Current I/O, IAP, Concurrent/ Nested Interrupts).

By default the program is in Halt mode (to reducing power consumption).

Warning: Disconnect the battery from its socket when the Safe ST7 Evaluation Board is not in use.

Figure 7. Main program flowchart



3.6 OPERATING THE DEMOS

The flowcharts below provide a full description of all the tests and demos that you can run.

Figure 8. Operations Flowchart (1)

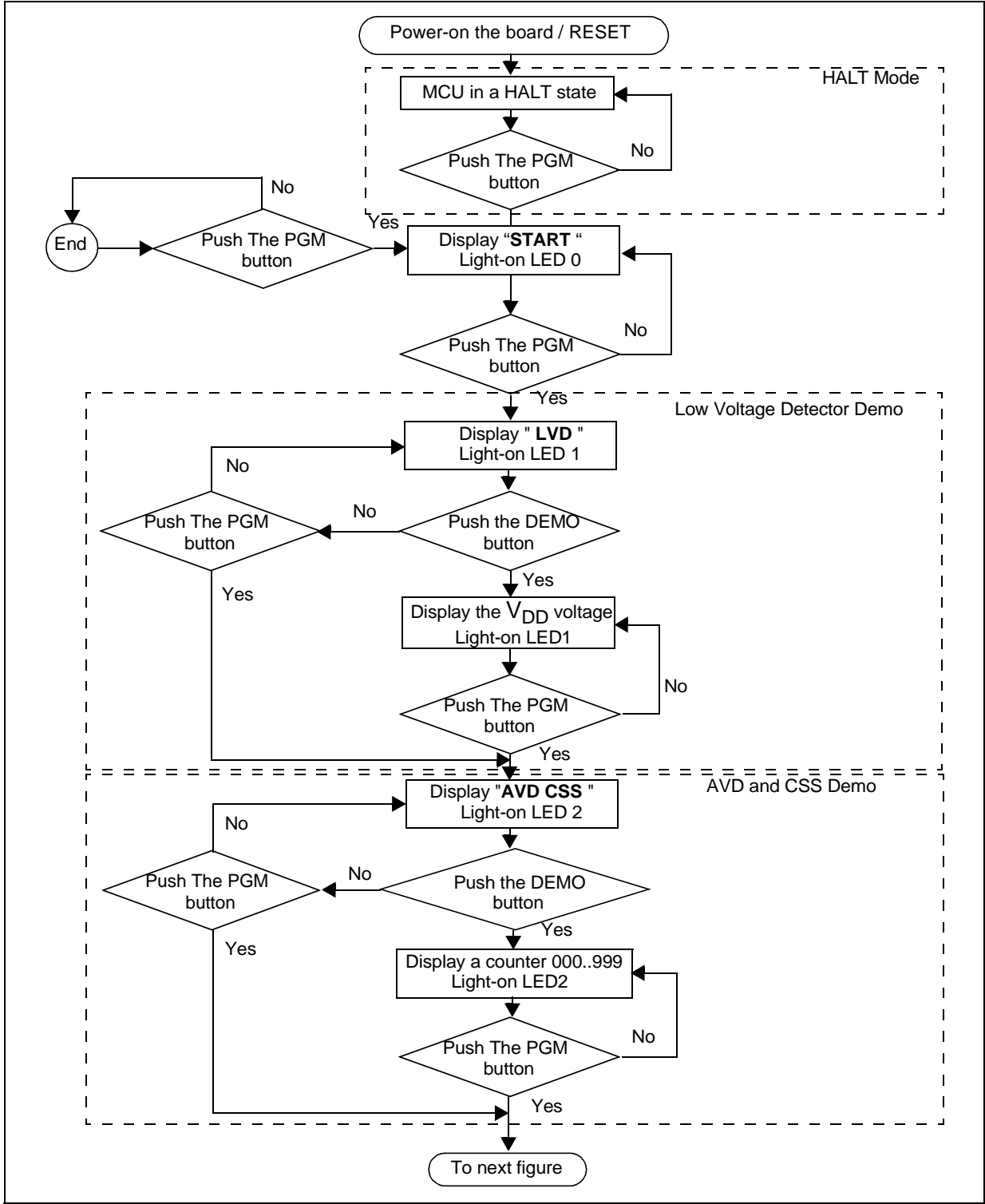


Figure 9. Operations Flowchart (2)

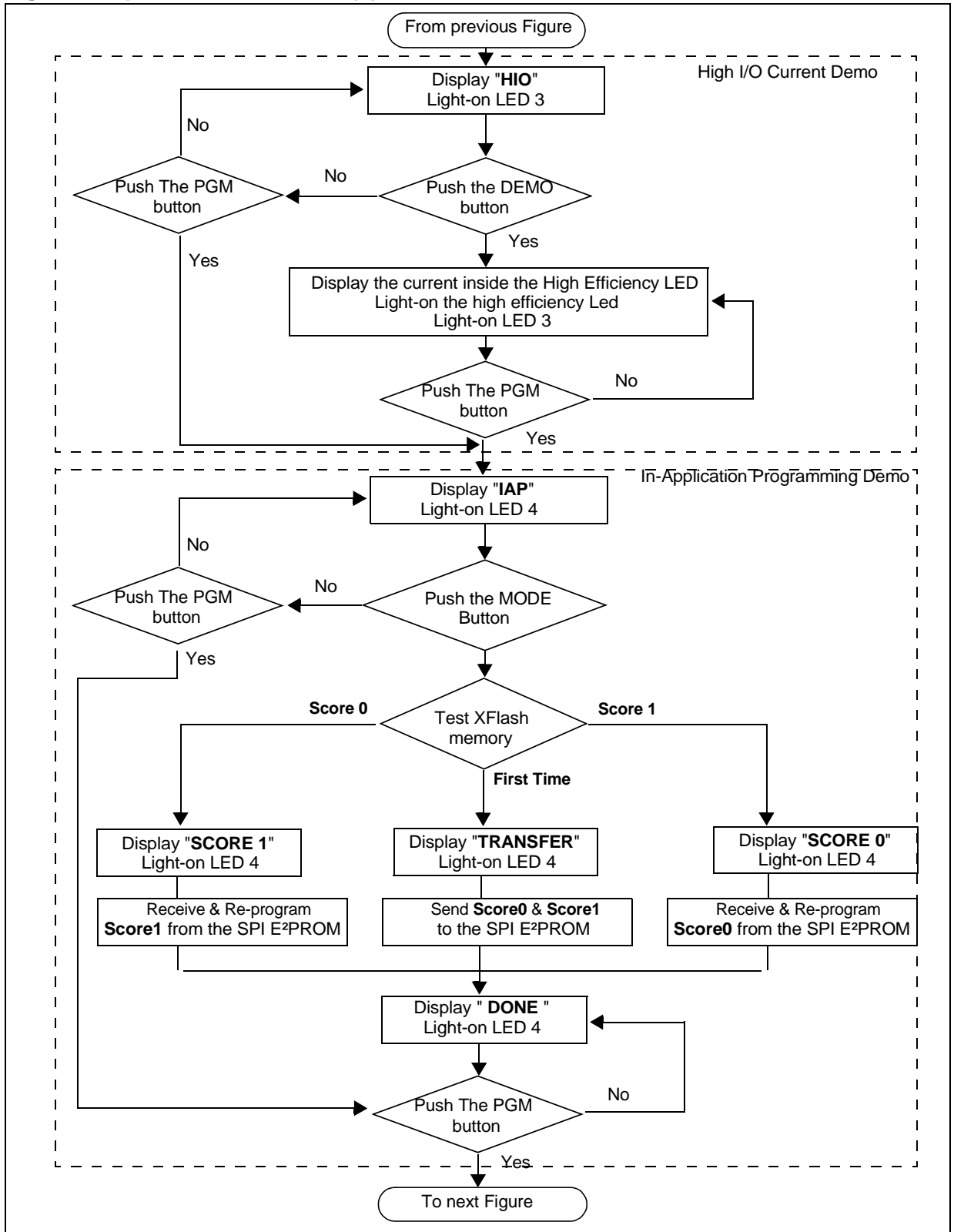
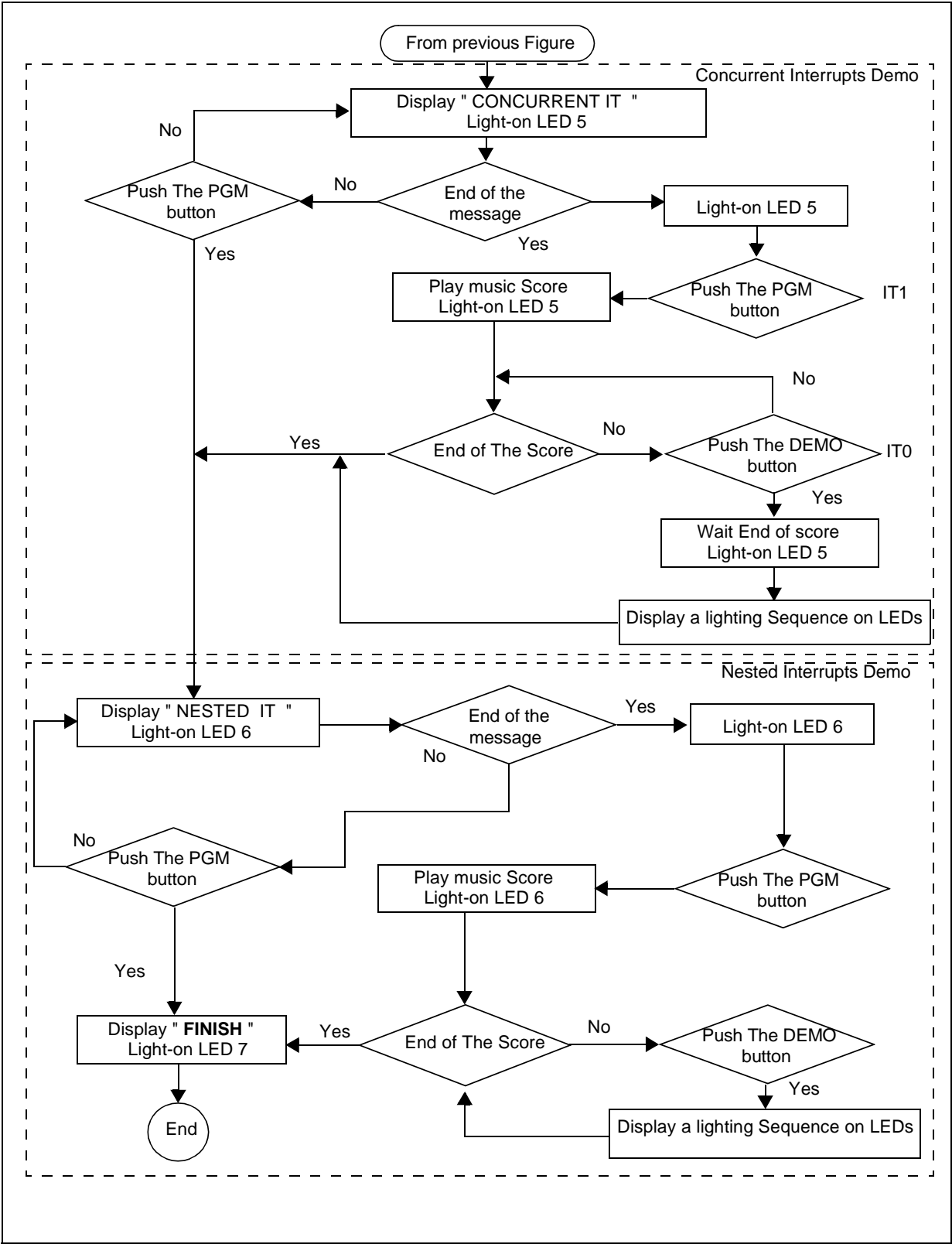


Figure 10. Operations Flowchart (3)



3.6.1 Running the LVD Demo

In LVD Demo state (see Figure 11), the user can switch between the two positions of W3 as described in Section 2.3.

If the power goes below the LVD level, the microcontroller enters RESET state. At power-on, the program enters LVD demo mode (because an LVD reset was detected) and displays the V_{DD} voltage on the 7-seg display.

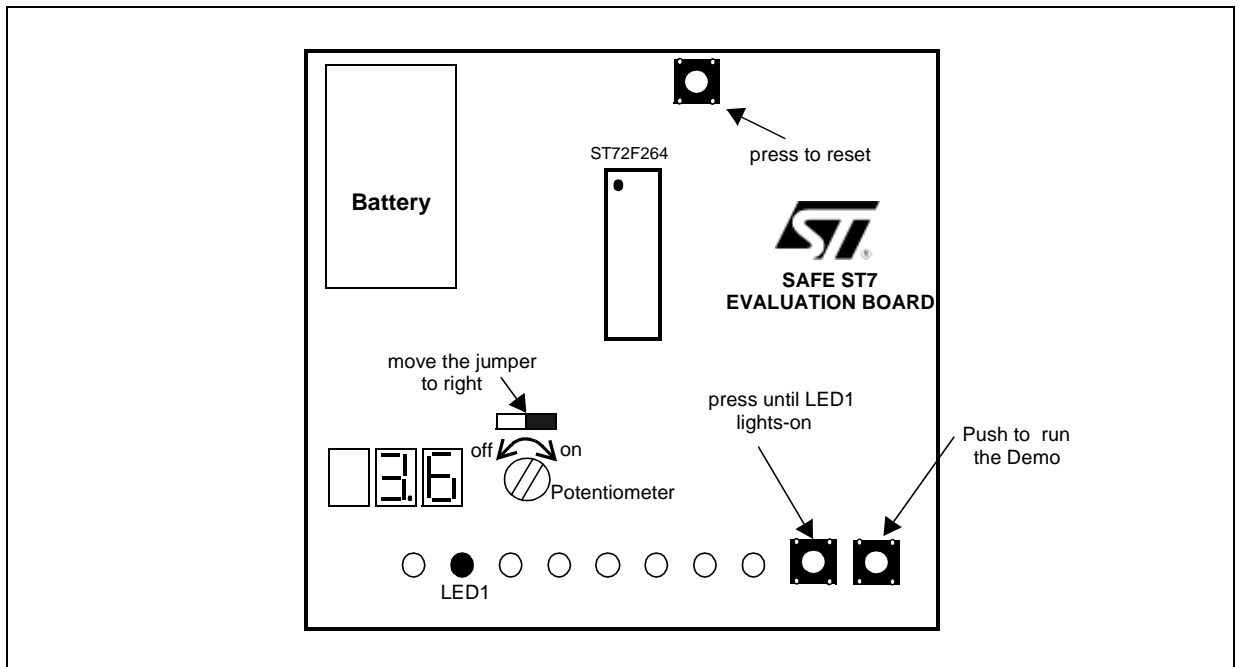
3.6.1.1 LVD Demo Description

The program reads in a fixed 2.4V reference voltage (VREF) via the 10-bit ADC channel, does some arithmetic to convert the digital value it has read to a voltage level and finally displays the main voltage of the board (V_{DD}) in Volts on the three 7-segment LEDs.

Note: X is the converted digital value of VREF (2.4 Volts) and 3FF is the digital value of V_{DD} , So:

$$V_{DD} = 2.4 \times \frac{3FF}{X}$$

Figure 11. LVD Demo Overview



The W3 jumper must be moved to the right to select the variable power supply. If the RV1 trimmer is turned completely clockwise, the board is powered by 5.6 Volts. If the trimmer is turned counter-clockwise the V_{DD} value will decrease until we reach the LVD threshold (V_{IT-}), at which point the microcontroller enters reset mode.

In power-on, if the trimmer is turned clockwise, the device will leave reset state and we can see the V_{IT+} threshold on the display.

Note: the V_{IT-} reference value for a voltage drop is lower than the V_{IT+} reference value for power-on in order to avoid parasitic reset when the microcontroller starts running and sinks current on the supply (hysteresis).

3.6.2 Running the AVD Demo

In Auxiliary Voltage Detector & Clock Security System Demo state (see [Figure 12](#)), the 7-seg display shows a counter that increments from 000 to 999.

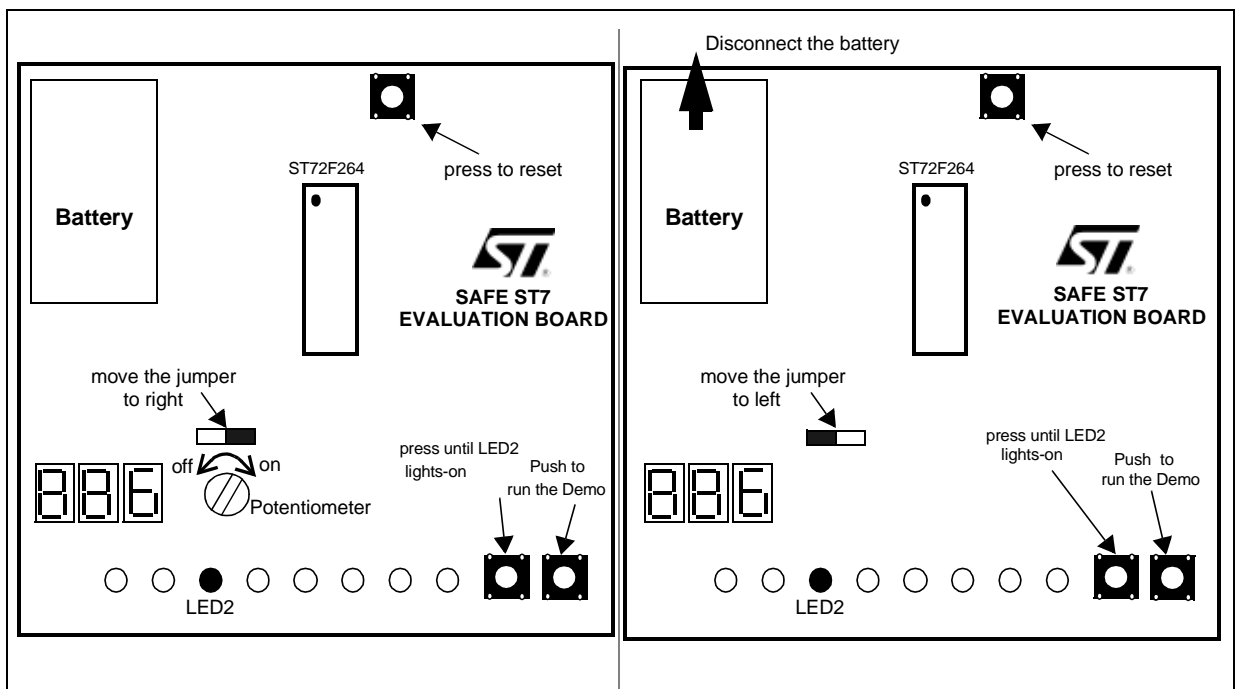
To test the AVD capability:

- Disconnect the battery or decrease the V_{DD} voltage using the power trimmer until the MCU enters RESET state.
- Then, supply the board with the right voltage.
- You will see that the counter does not restart at 000, but resumes counting from the last displayed value before shut-down.

3.6.2.1 AVD Demo Description

For system integrity management, in addition to the LVD feature, the Safe ST7 Evaluation Board has an auxiliary voltage detector (AVD) with interrupt capability. In case of a drop in voltage, the AVD interrupt acts as an early warning, allowing software to shut down safely before the LVD resets the microcontroller. The AVD works closely with the LVD and functions only if the LVD is enabled through option byte (see [“Option byte configuration” on page 12](#)).

Figure 12. AVD Demo Overview



In case of power drop, and before going into reset state, the AVD interrupt will save the last displayed value in the external EEPROM (M24C08) using the I²C protocol. On power-on, the software checks if the last reset was made by the LVD, if this is the case, it downloads the previously saved value from the external EEPROM to RAM memory in order to resume counting as normal.

To cause a voltage drop, we can choose between two solutions as shown in the [Figure 12](#). The first method consists of moving the W3 jumper to the right, then decreasing the main voltage by turning the RV1 trimmer counter-clockwise. The second method consists of moving the W3 jumper to the left so that we will have a 5-Volt reference value, and then disconnecting the battery.

3.6.3 Running the CSS Demo

To run this demo, we have to be in the same state as in the AVD demo see [“Running the AVD Demo”](#) on page 19.

Once the main program runs at 8 MHz, Timer A is configured to manage the counting operation displayed on the three 7-segments LEDs.

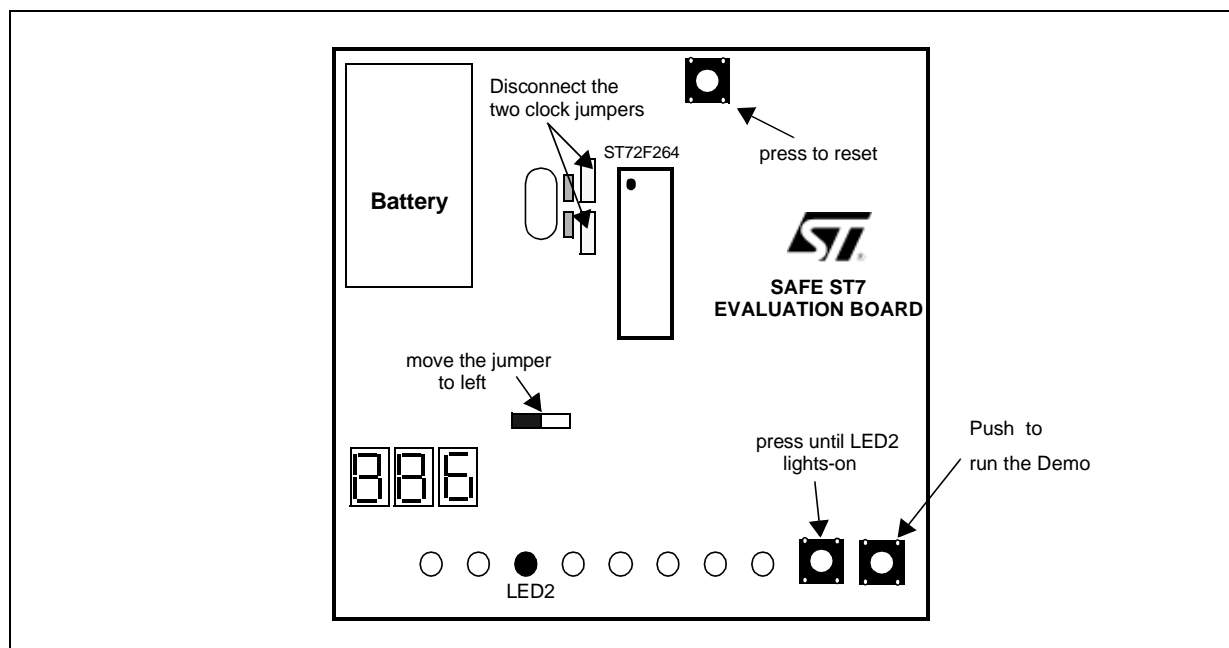
To test the CSS capability:

- Disconnect the oscillator by removing the W4 and W5 jumpers.
- You will see the frequency decreases significantly but that the counter still working.

3.6.3.1 CSS Demo Description

The clock security system (CSS) embedded in the ST72F264 family of microcontrollers, protects the device against problems occurring to the main clock. To allow you to integrate security features in your application, it performs clock filter control and generates an interrupt in case of clock problems, while switching to an internal safe oscillator to allow the software to keep running at a reduced speed. The safe oscillator of the CSS block is a low frequency back-up clock source (around 3 Mhz).

Figure 13. CSS Demo Overview



If the clock signal disappears, which you can provoke by disconnecting the two jumpers as shown in [Figure 13](#), the safe oscillator delivers a low frequency clock signal (around 3MHz) for a safe oscillator period which allows the ST7 to save any critical data or perform any kind of emergency operations while the CPU is still running.

The ST7 clock source switches back from the safe oscillator automatically if the original clock source recovers. You can simulate this by replacing the clock jumpers. For more details refer to [Section 2.4 Oscillation system](#).

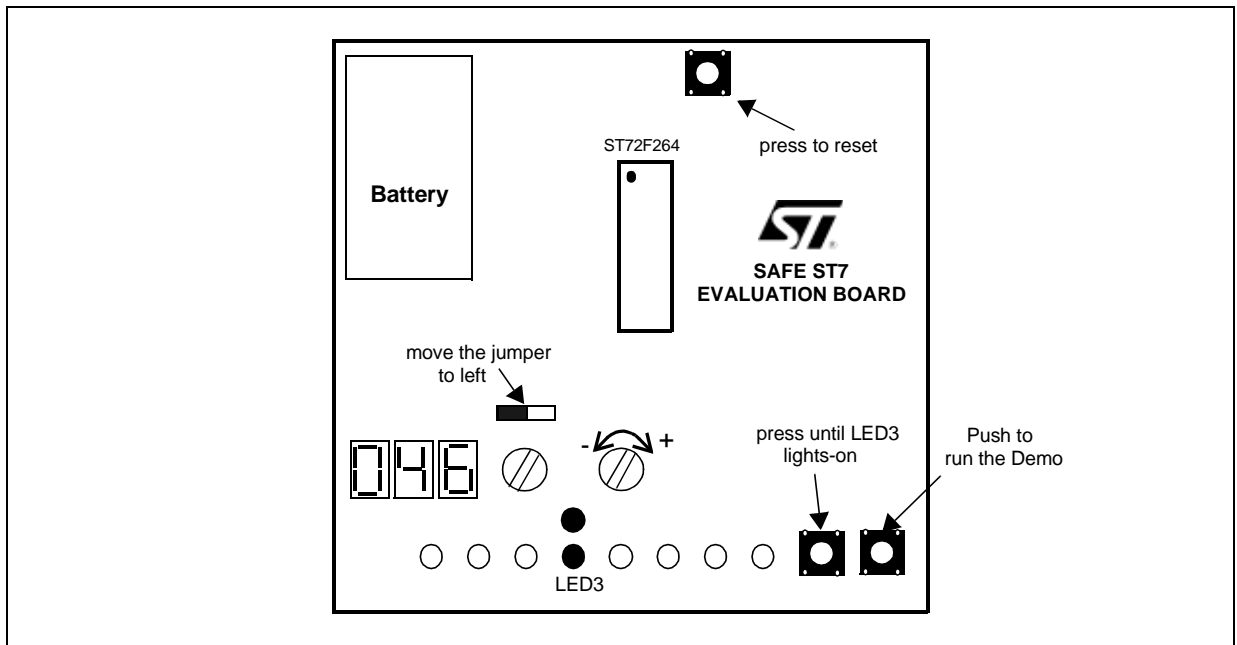
3.6.4 Running the High I/O current demo

This demo uses the example of a high efficiency LED to provide a visible result: its relative luminosity increases linearly with the forward current, which reaches more than 50mA at only 3 Volts.

The program measures the value of the current in the LED using ADC analog input channel 4 and at the same time it displays the result on three 7-segment LEDs (units in mA).

To vary the forward current, we have to move the RV2 trimmer position as shown in [Figure 14](#). You can verify the current value for yourself by connecting a serial ammeter to W12.

Figure 14. High Sink I/O Demo Overview



3.6.4.1 High Sink Demo Description

This demo shows how the high sink outputs can be used and how to measure the current delivered by any of the high sink outputs on Port A. In addition to standard I/O ports which sink and sources a maximum (absolute rating) output current of 25mA, most ST7s include High sink I/Os that can sink a current (absolute rating) output of up to 50mA. This allows you to drive any type of high power device directly without needing expensive external circuitry.

3.6.5 Running the IAP demo

This demo consists of re-programming XFLASH sector 1 using the In-Application Programming. To show this, it reprograms one piece of music (64 Bytes) by another one using the SPI communication protocol with the external M95040 4Kb SPI EEPROM memory.

The demo software includes an IAP_driver that will be copied to the RAM area to execute the demo. It programs 16 bytes at a time.

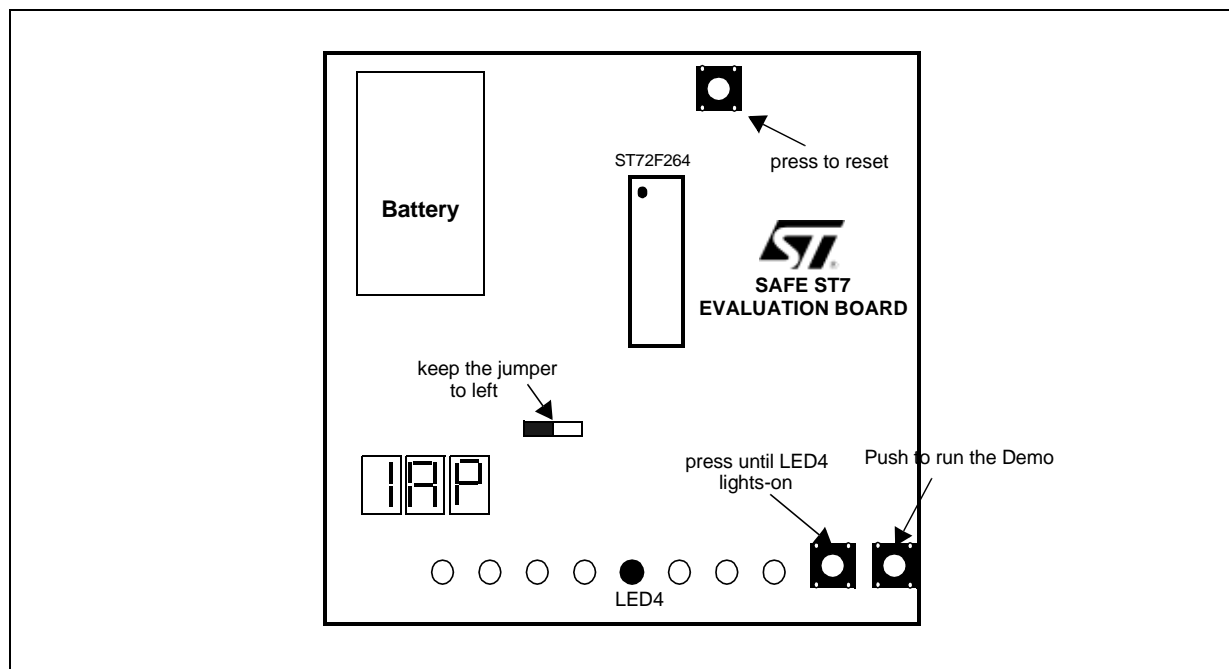
For more details about XFLASH In-Application Programming refer to the ST7 FLASH Programming Reference manual.

As shown in [Figure 15](#), you enter the IAP demo by pushing down the PGM button until LED4 lights-up and the "IAP" message appears. Then you must push the DEMO button. During this time the device will be updated and when this is finished a "DONE" message will appear.

Note: If you don't want to enter this mode, you must push the PGM button again to jump directly to the next demo.

Note: This demo only runs the software that downloads the musical sequence from the external EEPROM to the XFLASH device. This music data can be output on the buzzer. In order to listen to the music and verify that the data has been changed by IAP, you have to run the nested & concurrent interrupts demos.

Figure 15. IAP Demo Overview



3.6.5.1 IAP Demo Description

The ST72F26x microcontroller family has a single voltage extended Flash (XFLASH) area that can be electrically erased and programmed either on a byte-by-byte basis or up to 32 bytes in parallel. In-Application Programming (IAP) allows you to update program memory contents when the device is already plugged on the application board, at minimum cost in terms of added components and board area impact.

This programming mode uses an IAP driver program which has been previously programmed in sector 0. This method is fully controlled by user software. This allows it to be adapted to the user application (user-defined strategy for entering programming mode, choice of communications protocol used to fetch the data to be stored).

RAM Mapping

0xA0 to 0xA1: XFLASH start address (2 bytes)

0xA2 to 0xB2: 16-byte RAM buffer.

0xB2 to 0xCE: IAP_driver storage area, (used only while the demo is running)

Sector1 Mapping (Reprogrammable Area)

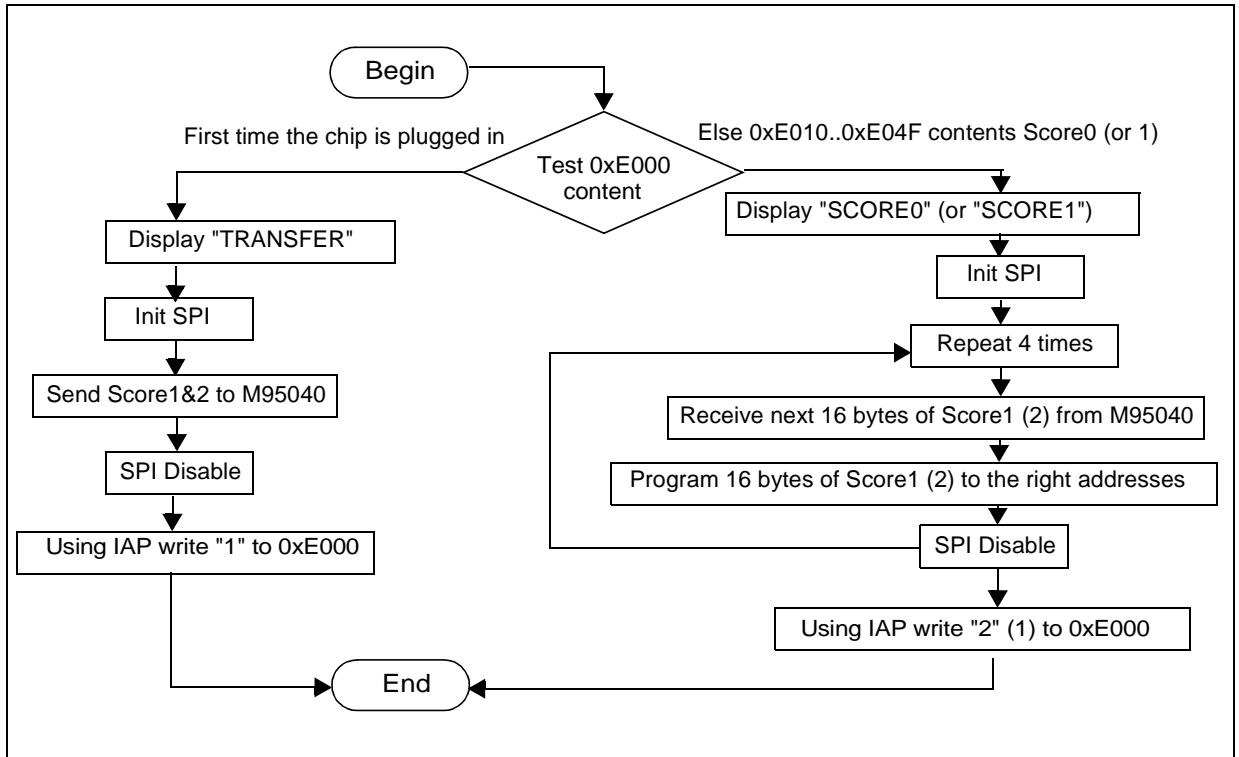
0xE000 to 0xE00F: 16 spare bytes for testing

0xE010 to 0xE04F: (64 bytes) Music score1 (Software reprogrammable bytes)

0xE050 to 0xE08F: (64 bytes) Music score 2

0xE090 to 0xE14F: All other constants

Figure 16. IAP Demo flowchart

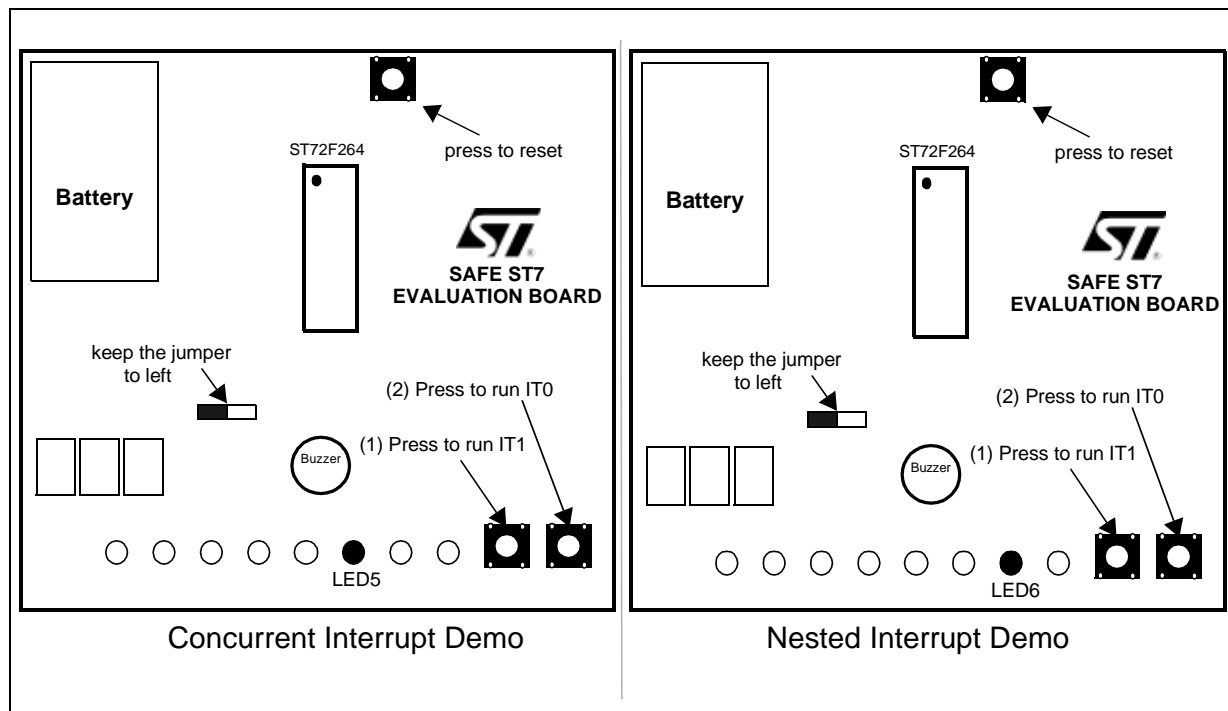


3.6.6 Running the Nested & Concurrent Interrupts demo

Most ST7 microcontrollers have two different interrupt management modes. The first is called concurrent mode and does not allow an interrupt to be interrupted, unlike the nested mode where a software priority is given to each interrupt.

3.6.6.1 Nested & Concurrent Interrupts Demo Description

Figure 17. Interrupts Demo Overview



As shown in [Figure 17](#) this demo is divided into two parts: The first one runs concurrent interrupts while the second uses nested interrupts.

The IT0 and IT1 interrupt service routines are assigned to external interrupt vectors ei0 and ei1. You can trigger the interrupts directly by pressing the two push-buttons shown in [Figure 17](#):

IT1: outputs a piece of music (previously downloaded in the IAP demo) on the buzzer.

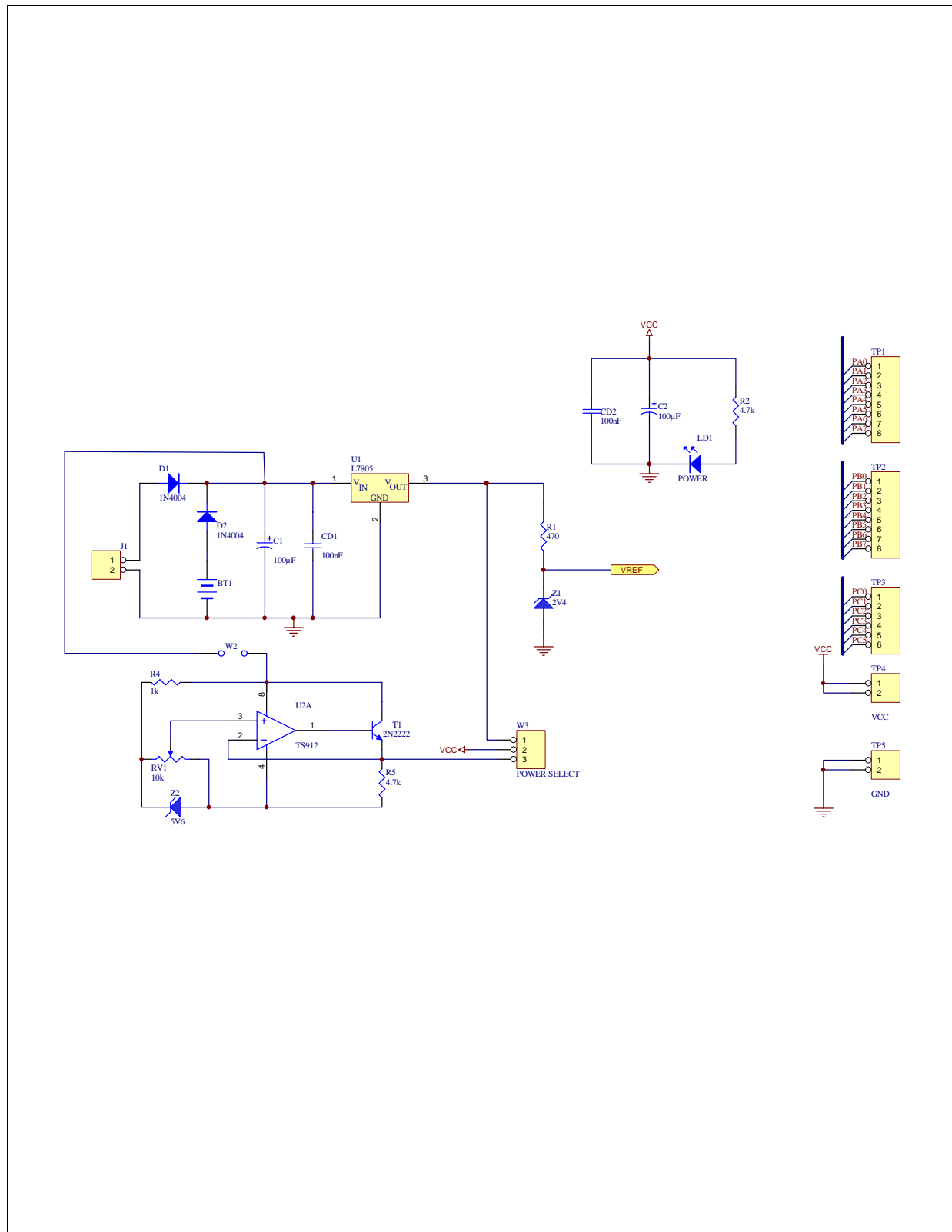
IT0: displays a lighting sequence on LEDs.

In the first demo (Concurrent Interrupts), all the interrupts have the same priority level, so the interrupt with the highest hardware priority will be serviced (in this case it is ei0).

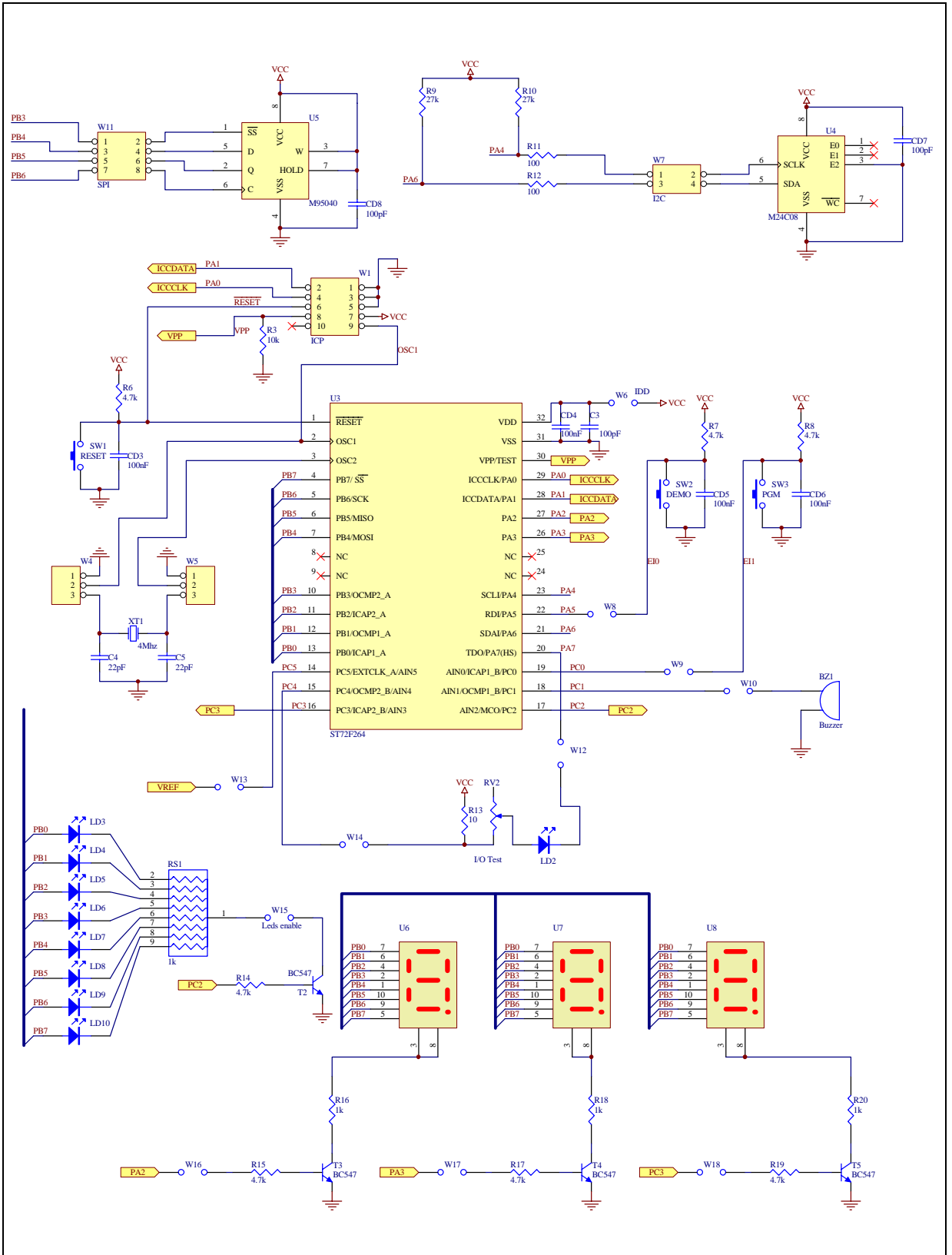
In this demo, you have to push the PGM button in order to trigger the IT1 routine, then pushing the DEMO button, IT0 won't interrupt the IT1 routine and you have to wait for the end of music before the LEDs light up in sequence.

To run the nested interrupt demo the board must be in the state shown in [Figure 17](#), then if you push the PGM button, it will trigger the IT1 interrupt routine (music output). Before the end of the music you have to push the DEMO button in order abort the IT1 routine and service the IT0 routine. When the program returns from IT0, it resumes playing the music from the point where it was interrupted.

4 APPENDIX 1: SAFE ST7 EVALUATION BOARD SCHEMATIC



Appendix 1: Safe ST7 Evaluation Board SCHEMATIC



THE SOFTWARE INCLUDED IN THIS NOTE IS FOR GUIDANCE ONLY.
STMICROELECTRONICS SHALL NOT BE HELD LIABLE FOR ANY DIRECT, INDIRECT OR
CONSEQUENTIAL DAMAGES WITH RESPECT TO ANY CLAIMS ARISING FROM USE OF
THE SOFTWARE.

Information furnished is believed to be accurate and reliable. However, STMicroelectronics assumes no responsibility for the consequences of use of such information nor for any infringement of patents or other rights of third parties which may result from its use. No license is granted by implication or otherwise under any patent or patent rights of STMicroelectronics. Specifications mentioned in this publication are subject to change without notice. This publication supersedes and replaces all information previously supplied. STMicroelectronics products are not authorized for use as critical components in life support devices or systems without the express written approval of STMicroelectronics.

The ST logo is a registered trademark of STMicroelectronics

©2002 STMicroelectronics - All Rights Reserved.

Purchase of I²C Components by STMicroelectronics conveys a license under the Philips I²C Patent. Rights to use these components in an I²C system is granted provided that the system conforms to the I²C Standard Specification as defined by Philips.

STMicroelectronics Group of Companies

Australia - Brazil - Canada - China - Finland - France - Germany - Hong Kong - India - Israel - Italy - Japan
Malaysia - Malta - Morocco - Singapore - Spain - Sweden - Switzerland - United Kingdom - U.S.A.

<http://www.st.com>