

# S5U1C17602T1100 (SVT17602)

**EPSON**  
EXCEED YOUR VISION

## Software eValuation Tool for S1C17602



- STN LCD panel (display size: 36 segments x 8 common B/W)
- Infrared LED/detecting unit
- Key input circuit (two keys available)
- Reset switch
- Extended interface connectors (P, UART, SPI and I2C ports)
- Temperature sensor/Humidity sensor/luminance sensor
- ICD board connector

### ■ DESCRIPTIONS

The S5U1C17602T1100 (SVT17602: Software Evaluation Tool for S1C17602) is an evaluation board for the S1C17602 MCU made by Seiko Epson.

The SVT17602 consists of a CPU board and an ICD board connected for software debugging, eliminating the need to connect a separate ICD debugging tool.

It also incorporates serial expansion ports to let users connect their own expansion boards.

### ■ FEATURES

#### CPU board

CPU	S1C17602
Input power voltage	+3.3 V DC (supplied through the ICD interface or by a CR2032 button cell)
CPU input clock	OSC1: 32.768 kHz OSC3: 6 MHz
On-board functions/devices	- STN LCD panel (display size: 36 segments x 8 common B/W) - Reset switch - Expansion interface connectors (P, UART, I2C, SPI) - ICD board connector - Temperature sensor/Humidity sensor/luminance sensor - Key input (2 keys) - Lever and push-switch - Infrared emitters/photo-receiver module

#### ICD board

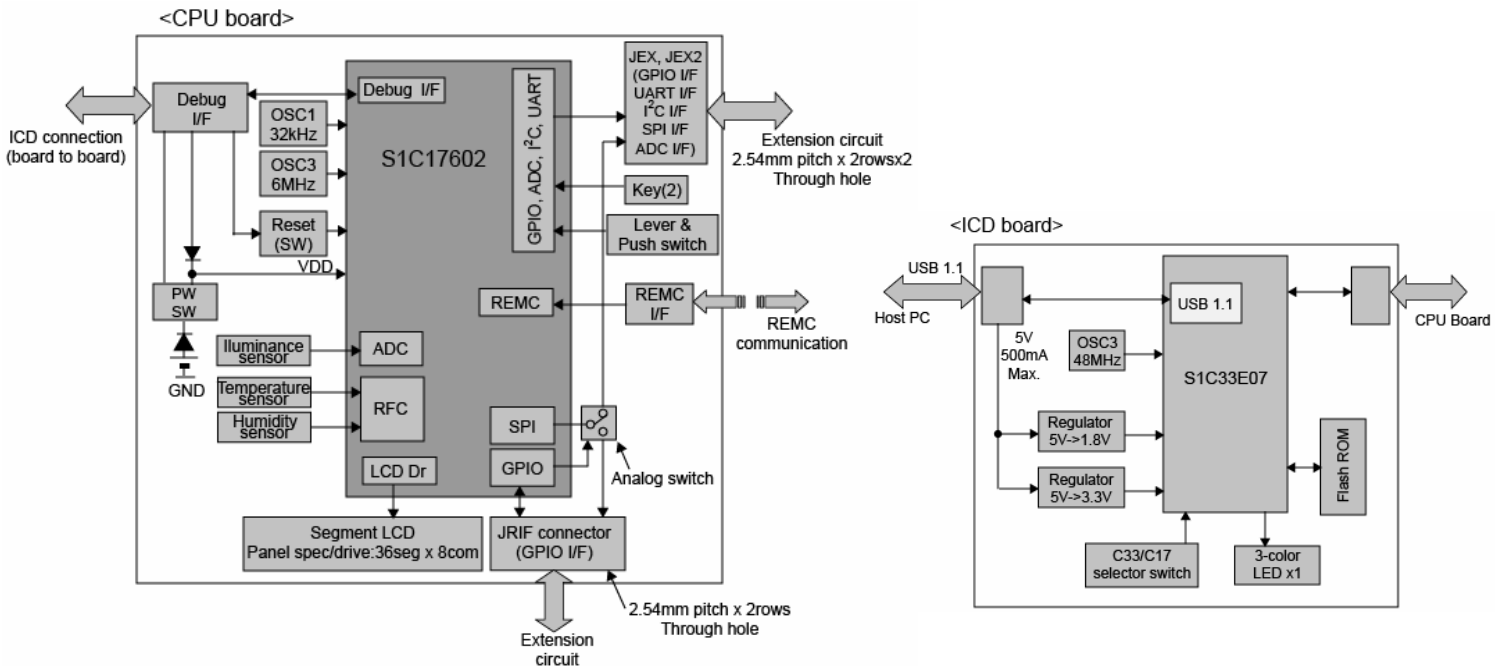
CPU interface	USB 1.1
Power voltage	USB bus power (On-board regulator output voltage: +3.3 V)
On-board functions/devices	- Status indicator LED - Reset switch - CPU board connector

### ■ Users site list of sample programs (coming out in February)

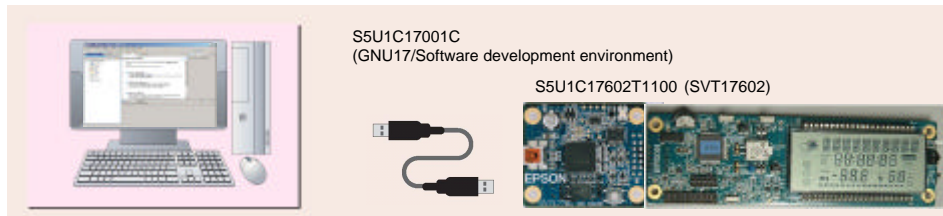
Oscillator	SPI Master Mode
I/O Ports	SPI Slave Mode
16-bit Timer	I <sup>2</sup> C Communications
8-bit Timer	REMC Transmission
PWM & Capture Timer	REMC Reception
8-bit OSC1 Timer	LCD Driver
Clock Timer	Supply Voltage Detector
Stopwatch Timer	Watchdog Timer
UART	Sleep/Halt Command

# S5U1C17602T1100 (SVT17602)

## ■ Block Diagram



## ■ Connection Diagram



### NOTICE:

No part of this material may be reproduced or duplicated in any form or by any means without the written permission of Seiko Epson. Seiko Epson reserves the right to make changes to this material without notice. Seiko Epson does not assume any liability of any kind arising out of any inaccuracies contained in this material or due to its application or use in any product or circuit and, further, there is no representation that this material is applicable to products requiring high level reliability, such as, medical products. Moreover, no license to any intellectual property rights is granted by implication or otherwise, and there is no representation or warranty that anything made in accordance with this material will be free from any patent or copyright infringement of a third party. This material or portions thereof may contain technology or the subject relating to strategic products under the control of the Foreign Exchange and Foreign Trade Law of Japan and may require an export license from the Ministry of Economy, Trade and Industry or other approval from another government agency.

©Seiko Epson Corporation 2009, All rights reserved.

**SEIKO EPSON CORPORATION**

SEMICONDUCTOR OPERATIONS DIVISION

■ EPSON Electronic devices Website

[http://www.epson.jp/device/semicon\\_e/](http://www.epson.jp/device/semicon_e/)

IC Sales Department

IC International Sales Group

421-8 Hino, Hino-shi, Tokyo 191-8501, JAPAN

Phone: +81-42-587-5814 FAX: +81-42-587-5117

Document code: 411664800

First issue Jan, 2009