

**Fluorescent tube lamp starter SCR****Features**

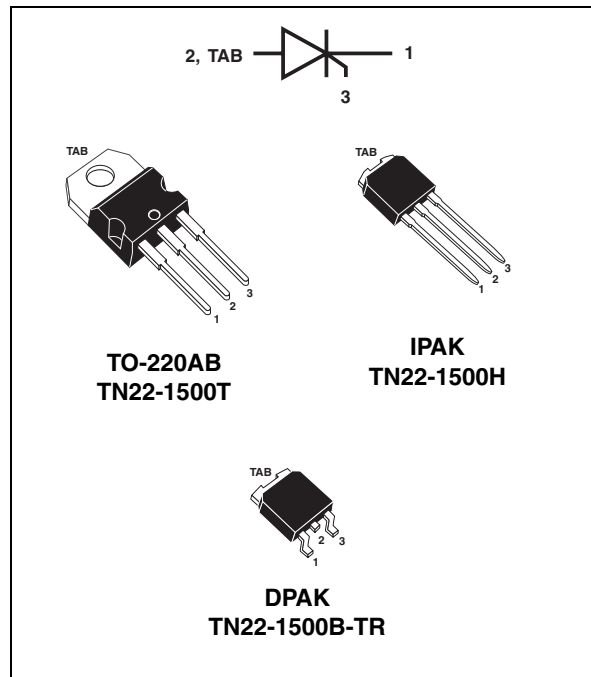
- High clamping voltage structure (1200 to 1500 V)
- Low gate triggering current for direct drive from line (< 1.5 mA)
- High holding current (> 175 mA), ensuring high striking energy

**Description**

The TN22 has been specifically developed for use in tube lamp electronic starter circuits.

Used in conjunction with a sensitive SCR, it provides high energy striking characteristics with low triggering power.

Thanks to the optimized characteristics of the TN22, starters based on this device can offer high reliability levels and extended life time of the fluorescent tube lamps.



# 1 Characteristics

**Table 1. Absolute ratings (limiting values)**

Symbol	Parameter		Value	Unit
$V_{RRM}$	Repetitive peak off-state voltage	$T_j = 110\text{ }^\circ\text{C}$	400	V
$I_{T(RMS)}$	On-state rms current full sine wave (180° conduction angle)	$T_c = 95\text{ }^\circ\text{C}$	2	A
$I_{T(AV)}$	Mean on-state current Full sinewave (180° conduction angle)	$T_c = 95\text{ }^\circ\text{C}$	1.8	A
$I_{TSM}$	Non repetitive surge peak on-state current ( $T_j$ initial = 25 °C)	$t_p = 8.3\text{ ms}$	22	A
		$t_p = 10\text{ ms}$	20	
$I^2t$	$I^2t$ Value for fusing	$t_p = 10\text{ ms}$	2	A <sup>2</sup> s
di/dt	Critical rate of rise of on-state current $I_G = 5\text{ mA}$ $di_G/dt = 70\text{ mA}/\mu\text{s}$		50	A/ $\mu\text{s}$
$P_{G(AV)}$	Average gate power dissipation		300	mW
$P_{GM}$	Peak gate power dissipation	$t_p = 20\text{ }\mu\text{s}$	2	W
$I_{GM}$	Peak gate current	$t_p = 20\text{ }\mu\text{s}$	1	A
$V_{RGM}$	Maximum peak reverse gate voltage		6	V
$T_{stg}$ $T_j$	Storage and operating junction temperature range		-40 to +150 -40 to +110	°C
$T_L$	Maximum lead temperature for soldering during 10 s at 4.5 mm from case		260	°C

**Table 2. Electrical characteristics ( $T_j = 25\text{ }^\circ\text{C}$  unless otherwise stated)**

Symbol	Test conditions		Value	Unit
$I_{GT}$	$V_D = 12\text{ V (DC)}$ , $R_L = 33\text{ }\Omega$	MAX	1.5	mA
$V_{GT}$	$V_D = 12\text{ V (DC)}$ , $R_L = 33\text{ }\Omega$ , $R_{GK} = 1\text{ K}\Omega$	MAX	3	V
$I_H$	$V_{GK} = 0\text{ V}$	MIN	175	mA
dV/dt	Linear slope up to $V_D = 67\% V_{DRM}$ , $V_{GK} = 0\text{ V}$ , $T_j = 110\text{ }^\circ\text{C}$	MIN	500	V/ $\mu\text{s}$
$V_{BR}$	$I_D = 5\text{ mA}$ , $V_{GK} = 0\text{ V}$	MIN	1200	V
		MAX	1500	

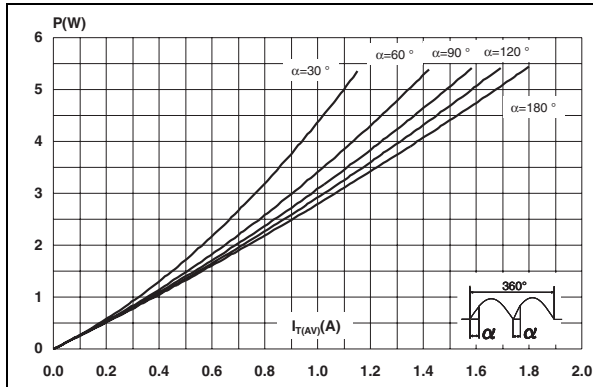
**Table 3. Static electrical characteristics ( $T_j = 25\text{ }^\circ\text{C}$  unless otherwise stated)**

Symbol	Test conditions		Value	Unit
$V_{TM}$	$I_{TM} = 2\text{ A}$ $t_p = 380\text{ }\mu\text{s}$	MAX	3.1	V
$I_{DRM}$	$V_{DRM}$ rated	MAX	0.1	mA

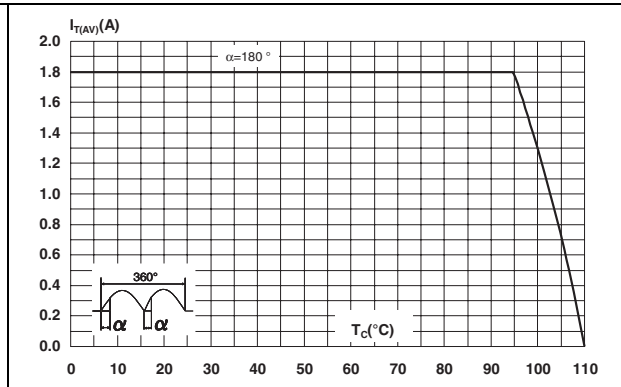
**Table 4. Thermal resistance**

Symbol	Parameter		Value	Unit
$R_{th(j-a)}$	Junction to ambient	DPAK / IPAK	100	°C/W
		TO-220AB	60	
$R_{th(j-c)}$	Junction to case		3	°C/W

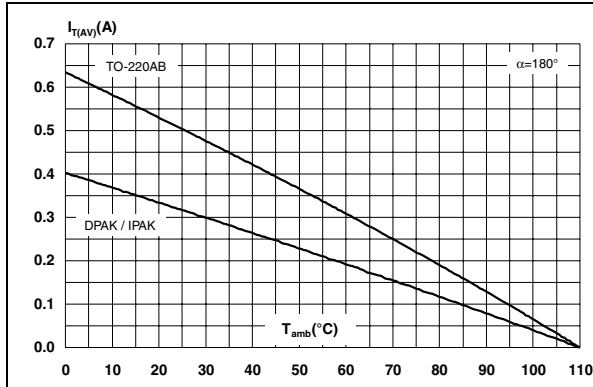
**Figure 1. Maximum average power dissipation versus average on-state current (rectified sine wave)**



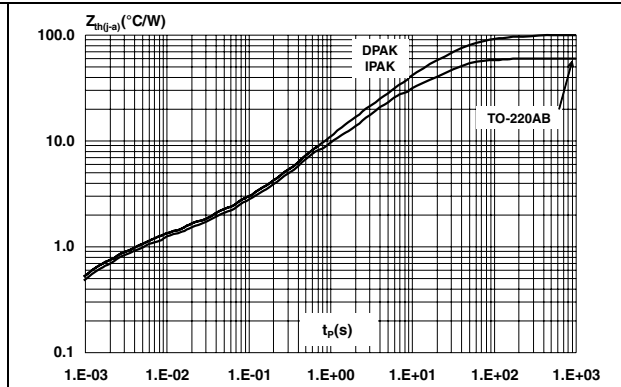
**Figure 2. Average on-state current versus case temperature (rectified full sine wave)**



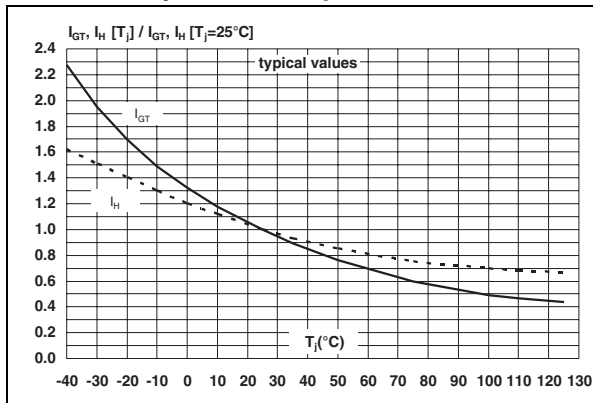
**Figure 3. Average on-state current versus ambient temperature, free air convection (rectified full sine wave)**



**Figure 4. Variation of thermal impedance junction to ambient versus pulse duration**



**Figure 5. Relative variation of gate trigger current and holding current versus junction temperature**



**Figure 6. Surge peak on-state current versus number of cycles**

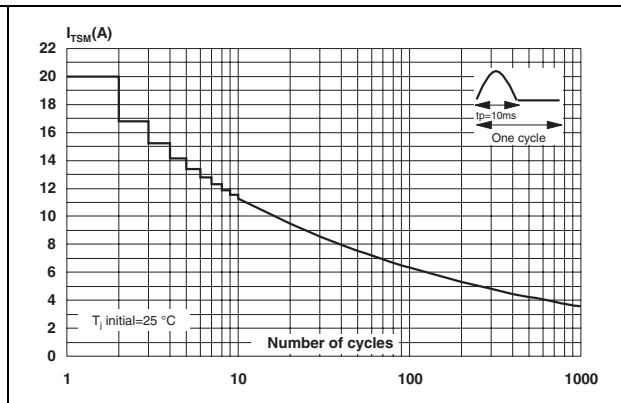


Figure 7. Non-repetitive surge peak on-state current for a sinusoidal pulse

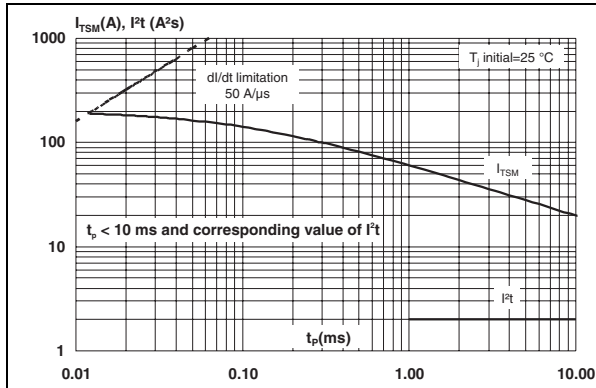


Figure 8. On-state characteristics (maximum values)

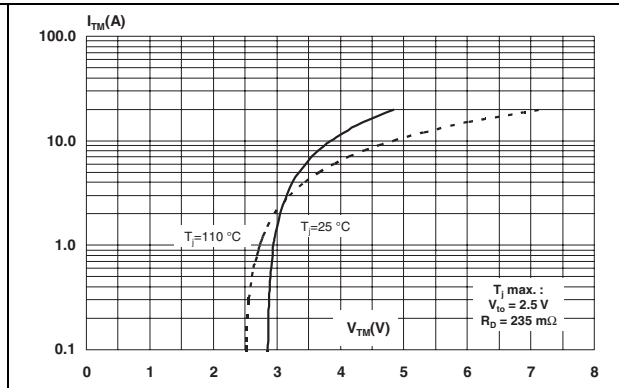


Figure 9. Maximum allowable rms current versus time conduction and initial case temperature

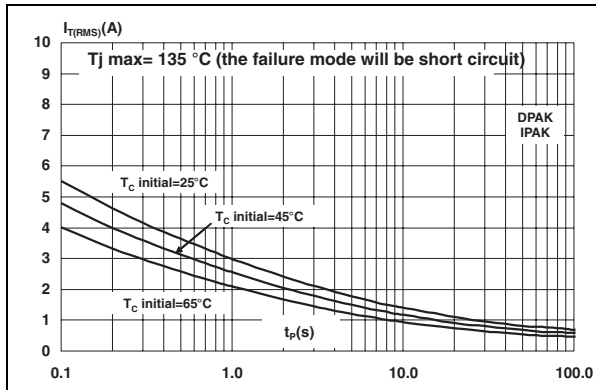


Figure 10. Maximum allowable rms current versus time conduction and initial case temperature

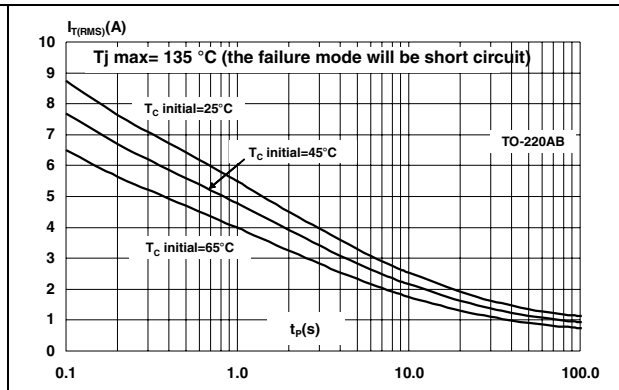
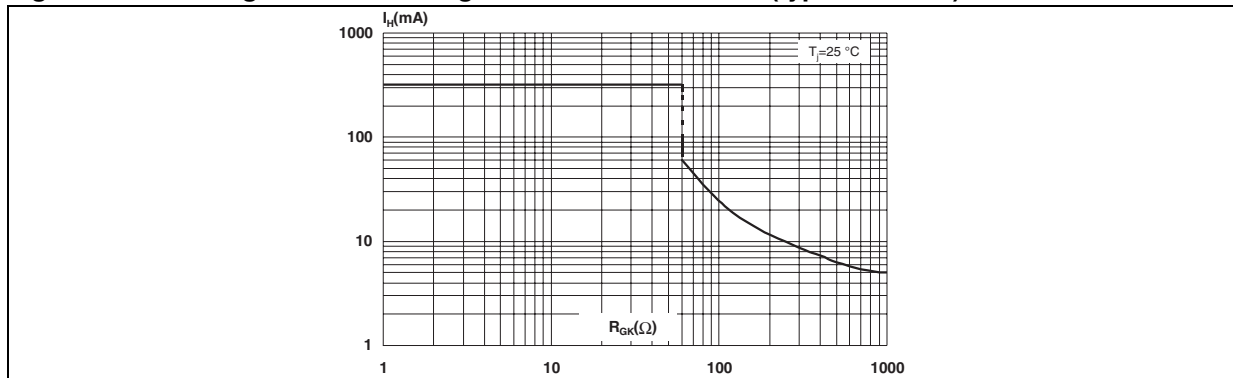


Figure 11. Holding current versus gate-cathode resistance (typical values)



## 2 Application information

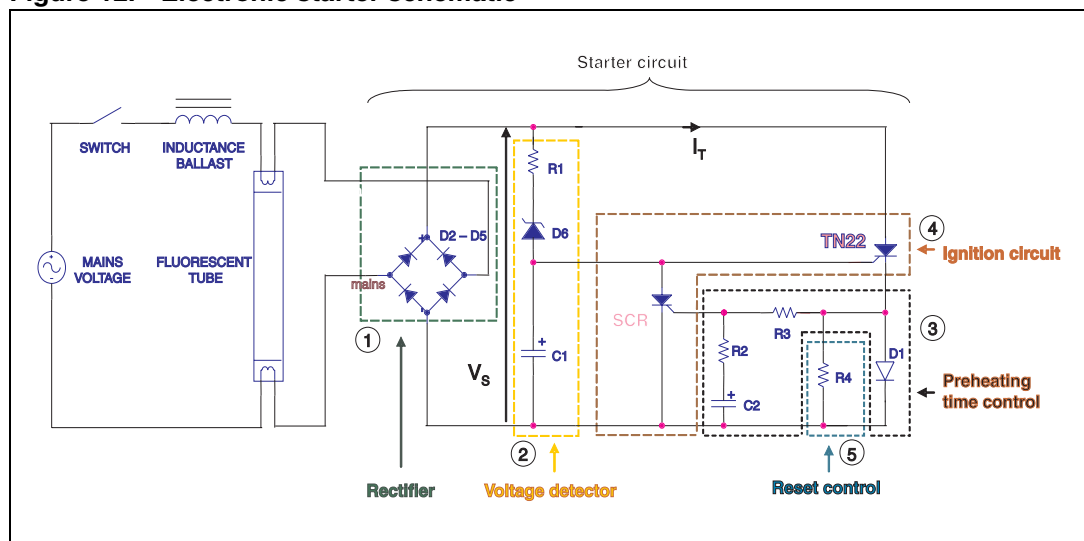
### 2.1 Overview

The TN22 has been designed for use as a fluorescent tube starter switch.

As shown in *Figure 12*, the starter circuit is divided in five parts:

1. **Rectifier bridge:** to rectify mains voltage.
2. **Voltage detector:** RCD circuit used to switch on the TN22.
3. **Preheating time control:** RC circuit used to switch on the SCR, so turn off the TN22.
4. **Ignition circuit:** made of sensitive SCR and TN22 devices.
5. **Reset control:** resistor used to discharge the C2 capacitor and to reset the circuit.

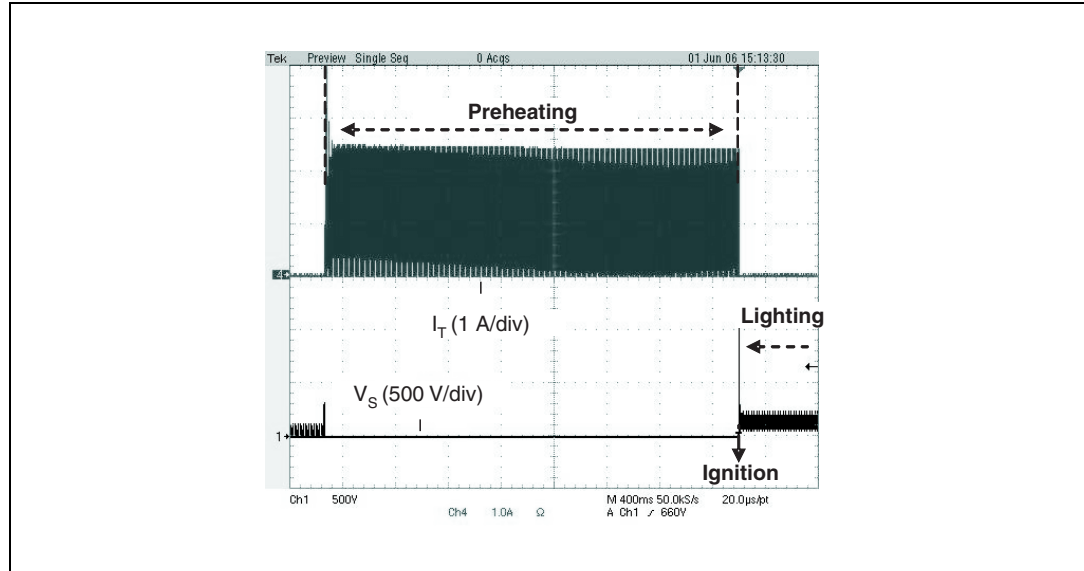
**Figure 12. Electronic starter schematic**



Three steps are necessary to ignite a fluorescent tube (see [Figure 13](#)):

- preheating of the filament
- ignition of the tube
- "lighting" mode

**Figure 13. The three operating steps of the electronic starter: preheating, ignition and lighting**



## 2.2 Filament and tube preheating

The mains voltage is applied across the circuit and when it reaches a higher level than the zener clamping voltage ( $V_{CL}$ ), a current flows through the resistor R1 and the capacitor C1. The TN22 switches on when the voltage across its gate to cathode junction reaches the triggering gate level ( $V_{GT}$ ).

As the TN22 is in on-state, a full sinusoidal current flows through the filaments (primary of the rectifier bridge) that are warmed up. This current is limited by the input ballast. The TN22 remains on at each current zero crossing point because the gate is still powered by the C1 capacitor.

The preheating time duration is set with the RC circuit made of R3, R2 and C2, and according to the voltage polarization fixed by the D1 drop voltage.

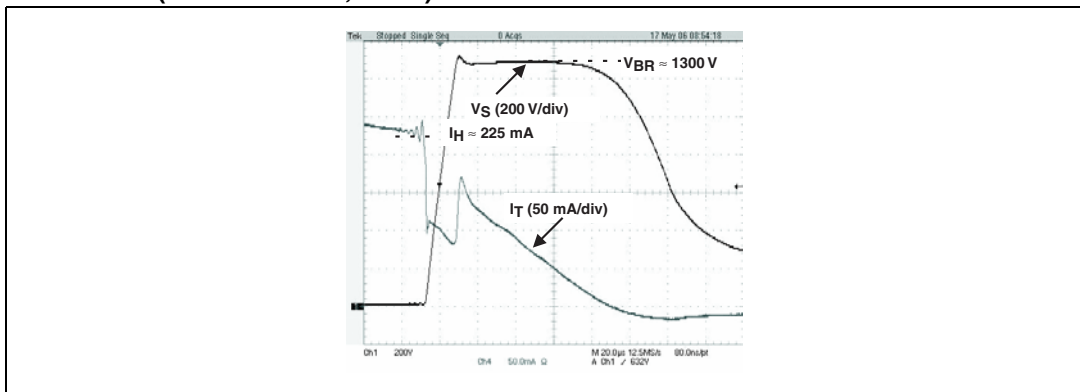
The preheating time is typically in the range of 2 to 3 seconds depending on the tube characteristics.

### 2.3 Ignition step

When C2 is charged above the SCR triggering gate voltage ( $V_{GT}$ ), the SCR switches on. The voltage across the TN22 gate to cathode junction is fixed to a negative value, which allows a proper TN22 switch-off, with a high holding current ( $I_H$ ) level.

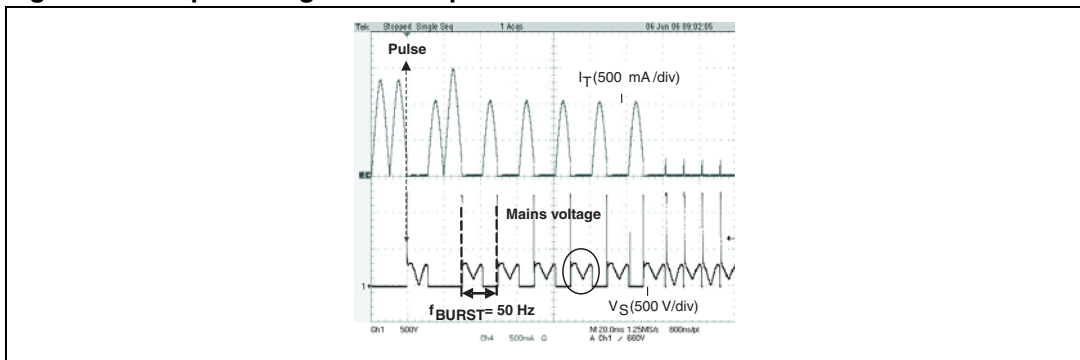
When the current reaches  $I_H$ , the TN22 switches off and the ballast inductor generates a high voltage pulse across the tube (see [Figure 14](#)). This over-voltage is clamped by the TN22 to a value fixed by the breakdown voltage ( $V_{BR}$ ). A 1200 V to 1500 V level is necessary to ensure a correct ignition of the fluorescent tubes.

**Figure 14. Typical high voltage pulse of an electronic starter circuit (P0130AA SCR, TN22)**



If the lamp is not ignited after the first pulse, the starter circuit starts a new ignition sequence. The pulse is regenerated until ignition of the tube lamp. If the lamp is not ignited after several attempts, the starter circuit can automatically stop the ignition sequence.

**Figure 15. Repetitive ignitions sequence**

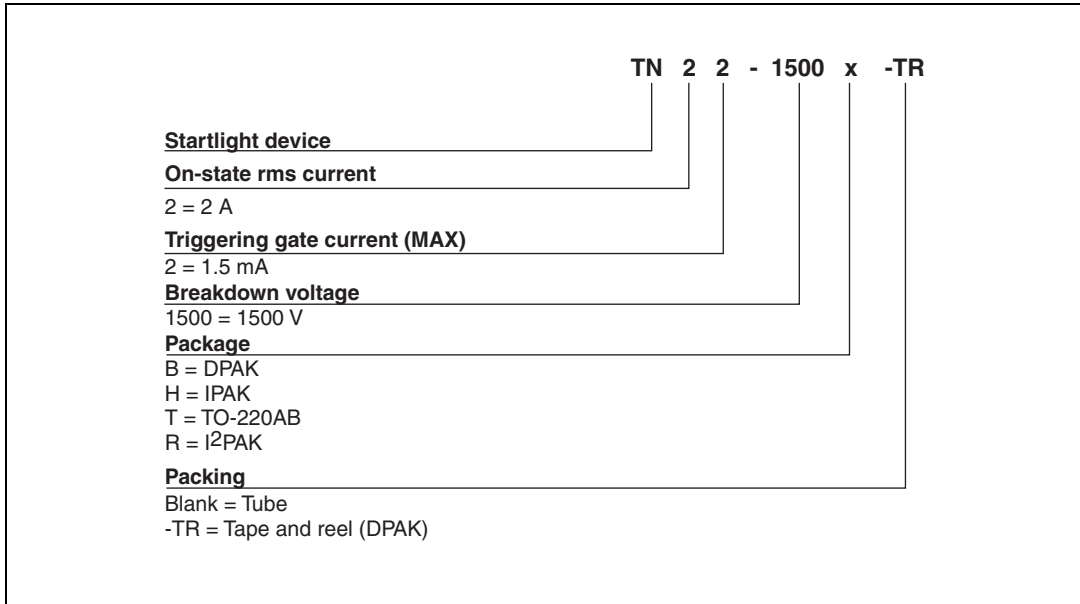


### 2.4 Lighting state

When the lamp is ignited, the capacitor C2 is discharged through the resistors R2, R3 and R4. The voltage across the lamp remains lower than the D6 clamping voltage ( $V_{CL}$ ), avoiding the triggering of the TN22. The starter circuit remains in stand-by mode.

### 3 Ordering information scheme

Figure 16. Ordering information scheme





## 4 Package information

- Epoxy meets UL94,V0
- Cooling method: by convection
- Recommended torque value: 0.4 to 0.6 N·m (TO-220AB)

In order to meet environmental requirements, ST offers these devices in different grades of ECOPACK® packages, depending on their level of environmental compliance. ECOPACK® specifications, grade definitions and product status are available at: [www.st.com](http://www.st.com). ECOPACK® is an ST trademark.

**Table 5. DPAK dimensions**

Ref.	Dimensions			
	Millimeters		Inches	
	Min.	Max.	Min.	Max.
A	2.20	2.40	0.086	0.094
A1	0.90	1.10	0.035	0.043
A2	0.03	0.23	0.001	0.009
B	0.64	0.90	0.025	0.035
B2	5.20	5.40	0.204	0.212
C	0.45	0.60	0.017	0.023
C2	0.48	0.60	0.018	0.023
D	6.00	6.20	0.236	0.244
E	6.40	6.60	0.251	0.259
G	4.40	4.60	0.173	0.181
H	9.35	10.10	0.368	0.397
L2	0.80 typ.		0.031 typ.	
L4	0.60	1.00	0.023	0.039
V2	0°	8°	0°	8°

**Figure 17. Footprint (dimensions in mm)**

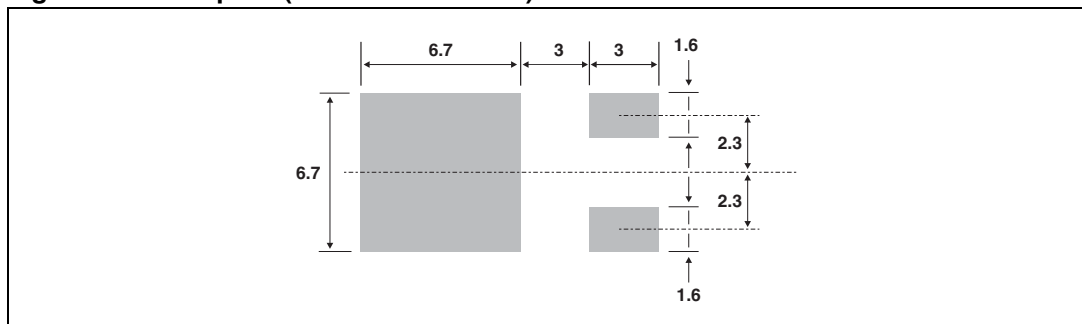
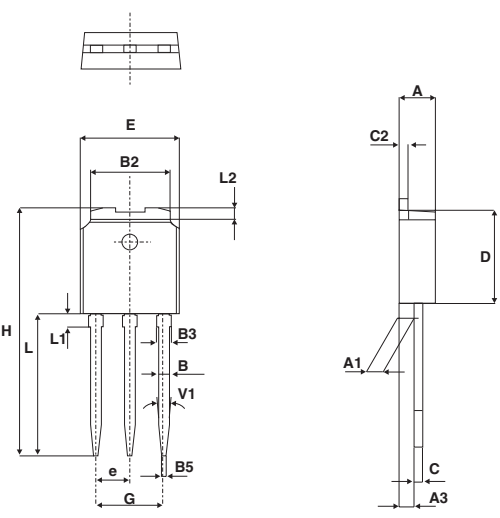


Table 6. IPAK dimensions



Ref.	Dimensions					
	Millimeters			Inches		
	Min.	Typ.	Max.	Min.	Typ.	Max.
A	2.20	-	2.40	0.086	-	0.094
A1	0.90	-	1.10	0.035	-	0.043
A3	0.70	-	1.30	0.027	-	0.051
B	0.64	-	0.90	0.025	-	0.035
B2	5.20	-	5.40	0.204	-	0.212
B3	-	-	0.95	-	-	0.037
B5	-	0.30	-	-	0.035	-
C	0.45	-	0.60	0.017	-	0.023
C2	0.48	-	0.60	0.019	-	0.023
D	6	-	6.20	0.236	-	0.244
E	6.40	-	6.60	0.252	-	0.260
e	-	2.28	-	-	0.090	-
G	4.40	-	4.60	0.173	-	0.181
H	-	16.10	-	-	0.634	-
L	9	-	9.40	0.354	-	0.370
L1	0.8	-	1.20	0.031	-	0.047
L2	-	0.80	1	-	0.031	0.039
V1	-	10°	-	-	10°	-

Table 7. TO-220AB dimensions

Ref.	Dimensions			
	Millimeters		Inches	
	Min.	Max.	Min.	Max.
A	4.40	4.60	0.173	0.181
C	1.23	1.32	0.048	0.051
D	2.40	2.72	0.094	0.107
E	0.49	0.70	0.019	0.027
F	0.61	0.88	0.024	0.034
F1	1.14	1.70	0.044	0.066
F2	1.14	1.70	0.044	0.066
G	4.95	5.15	0.194	0.202
G1	2.40	2.70	0.094	0.106
H2	10	10.40	0.393	0.409
L2	16.4 typ.		0.645 typ.	
L4	13	14	0.511	0.551
L5	2.65	2.95	0.104	0.116
L6	15.25	15.75	0.600	0.620
L7	6.20	6.60	0.244	0.259
L9	3.50	3.93	0.137	0.154
M	2.6 typ.		0.102 typ.	
Diam.	3.75	3.85	0.147	0.151

## 5 Ordering information

**Table 8. Ordering information**

Order code	Marking	Package	Weight	Base qty	Delivery mode
TN22-1500B	TN22-1500	DPAK	0.3 g	75	Tube
TN22-1500B-TR	TN22-1500	DPAK	0.3 g	2500	Tape and reel
TN22-1500H	TN22-1500	IPAK	0.4 g	75	Tube
TN22-1500T	TN22-1500	TO-220AB	2.0 g	50	Tube

## 6 Revision history

**Table 9. Document revision history**

Date	Revision	Changes
Oct-2000	1	First release.
17-Sep-2005	2	TO-220AB package added.
13-Aug-2009	3	Updated <a href="#">Figure 4</a> . Added <a href="#">Figure 9</a> and <a href="#">10</a> .

**Please Read Carefully:**

Information in this document is provided solely in connection with ST products. STMicroelectronics NV and its subsidiaries ("ST") reserve the right to make changes, corrections, modifications or improvements, to this document, and the products and services described herein at any time, without notice.

All ST products are sold pursuant to ST's terms and conditions of sale.

Purchasers are solely responsible for the choice, selection and use of the ST products and services described herein, and ST assumes no liability whatsoever relating to the choice, selection or use of the ST products and services described herein.

No license, express or implied, by estoppel or otherwise, to any intellectual property rights is granted under this document. If any part of this document refers to any third party products or services it shall not be deemed a license grant by ST for the use of such third party products or services, or any intellectual property contained therein or considered as a warranty covering the use in any manner whatsoever of such third party products or services or any intellectual property contained therein.

**UNLESS OTHERWISE SET FORTH IN ST'S TERMS AND CONDITIONS OF SALE ST DISCLAIMS ANY EXPRESS OR IMPLIED WARRANTY WITH RESPECT TO THE USE AND/OR SALE OF ST PRODUCTS INCLUDING WITHOUT LIMITATION IMPLIED WARRANTIES OF MERCHANTABILITY, FITNESS FOR A PARTICULAR PURPOSE (AND THEIR EQUIVALENTS UNDER THE LAWS OF ANY JURISDICTION), OR INFRINGEMENT OF ANY PATENT, COPYRIGHT OR OTHER INTELLECTUAL PROPERTY RIGHT.**

**UNLESS EXPRESSLY APPROVED IN WRITING BY AN AUTHORIZED ST REPRESENTATIVE, ST PRODUCTS ARE NOT RECOMMENDED, AUTHORIZED OR WARRANTED FOR USE IN MILITARY, AIR CRAFT, SPACE, LIFE SAVING, OR LIFE SUSTAINING APPLICATIONS, NOR IN PRODUCTS OR SYSTEMS WHERE FAILURE OR MALFUNCTION MAY RESULT IN PERSONAL INJURY, DEATH, OR SEVERE PROPERTY OR ENVIRONMENTAL DAMAGE. ST PRODUCTS WHICH ARE NOT SPECIFIED AS "AUTOMOTIVE GRADE" MAY ONLY BE USED IN AUTOMOTIVE APPLICATIONS AT USER'S OWN RISK.**

Resale of ST products with provisions different from the statements and/or technical features set forth in this document shall immediately void any warranty granted by ST for the ST product or service described herein and shall not create or extend in any manner whatsoever, any liability of ST.

ST and the ST logo are trademarks or registered trademarks of ST in various countries.

Information in this document supersedes and replaces all information previously supplied.

The ST logo is a registered trademark of STMicroelectronics. All other names are the property of their respective owners.

© 2009 STMicroelectronics - All rights reserved

STMicroelectronics group of companies

Australia - Belgium - Brazil - Canada - China - Czech Republic - Finland - France - Germany - Hong Kong - India - Israel - Italy - Japan - Malaysia - Malta - Morocco - Philippines - Singapore - Spain - Sweden - Switzerland - United Kingdom - United States of America

[www.st.com](http://www.st.com)