



# Precision, Rail-to-Rail I/O INSTRUMENTATION AMPLIFIER

## FEATURES

- **PRECISION**
  - LOW OFFSET: 100 $\mu$ V (max)
  - LOW OFFSET DRIFT: 0.4 $\mu$ V/ $^{\circ}$ C (max)
  - EXCELLENT LONG-TERM STABILITY
  - VERY-LOW 1/f NOISE
- **TRUE RAIL-TO-RAIL I/O**
  - INPUT COMMON-MODE RANGE:
    - 20mV Below Negative Rail to 100mV Above Positive Rail
  - WIDE OUTPUT SWING: Within 10mV of Rails
  - SUPPLY RANGE: Single +2.7V to +5.5V
- **SMALL SIZE**
  - microPACKAGE: MSOP-8, MSOP-10
- **LOW COST**

## APPLICATIONS

- **LOW-LEVEL TRANSDUCER AMPLIFIER FOR BRIDGES, LOAD CELLS, THERMOCOUPLES**
- **WIDE DYNAMIC RANGE SENSOR MEASUREMENTS**
- **HIGH-RESOLUTION TEST SYSTEMS**
- **WEIGH SCALES**
- **MULTI-CHANNEL DATA ACQUISITION SYSTEMS**
- **MEDICAL INSTRUMENTATION**
- **GENERAL-PURPOSE**

## DESCRIPTION

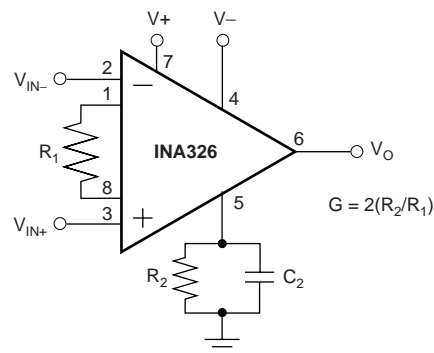
The INA326 and INA327 (with shutdown) are high-performance, low-cost, precision instrumentation amplifiers with rail-to-rail input and output. They are true single-supply instrumentation amplifiers with very low DC errors and input common-mode ranges that extends beyond the positive and negative rails. These features make them suitable for applications ranging from general-purpose to high-accuracy.

Excellent long-term stability and very low 1/f noise assure low offset voltage and drift throughout the life of the product.

The INA326 (without shutdown) comes in the MSOP-8 package. The INA327 (with shutdown) is offered in an MSOP-10. Both are specified over the industrial temperature range,  $-40^{\circ}$ C to  $+85^{\circ}$ C, with operation from  $-40^{\circ}$ C to  $+125^{\circ}$ C.

## INA326 AND INA327 RELATED PRODUCTS

PRODUCT	FEATURES
INA337	Precision, 0.4 $\mu$ V/ $^{\circ}$ C Drift, Specified $-40^{\circ}$ C to $+125^{\circ}$ C
INA114	50 $\mu$ V $V_{OS}$ , 0.5nA $I_B$ , 115dB CMR, 3mA $I_Q$ , 0.25 $\mu$ V/ $^{\circ}$ C Drift
INA118	50 $\mu$ V $V_{OS}$ , 1nA $I_B$ , 120dB CMR, 385 $\mu$ A $I_Q$ , 0.5 $\mu$ V/ $^{\circ}$ C Drift
INA122	250 $\mu$ V $V_{OS}$ , -10nA $I_B$ , 85 $\mu$ A $I_Q$ , Rail-to-Rail Output, 3 $\mu$ V/ $^{\circ}$ C Drift
INA128	50 $\mu$ V $V_{OS}$ , 2nA $I_B$ , 125dB CMR, 750 $\mu$ A $I_Q$ , 0.5 $\mu$ V/ $^{\circ}$ C Drift
INA321	500 $\mu$ V $V_{OS}$ , 0.5pA $I_B$ , 94dB CMRR, 60 $\mu$ A $I_Q$ , Rail-to-Rail Output



Please be aware that an important notice concerning availability, standard warranty, and use in critical applications of Texas Instruments semiconductor products and disclaimers thereto appears at the end of this data sheet.

## PACKAGE/ORDERING INFORMATION<sup>(1)</sup>

PRODUCT	PACKAGE-LEAD	PACKAGE DESIGNATOR	SPECIFIED TEMPERATURE RANGE	PACKAGE MARKING	ORDERING NUMBER	TRANSPORT MEDIA, QUANTITY
INA326 "	MSOP-8 "	DGK "	-40°C to +85°C "	B26 "	INA326EA/250 INA326EA/2K5	Tape and Reel, 250 Tape and Reel, 2500
INA327 "	MSOP-10 "	DGS "	-40°C to +85°C "	B27 "	INA327EA/250 INA327EA/2K5	Tape and Reel, 250 Tape and Reel, 2500

NOTE: (1) For the most current package and ordering information, download the latest version of this data sheet and see the Package Option Addendum located at the end of the data sheet.

## ABSOLUTE MAXIMUM RATINGS<sup>(1)</sup>

Supply Voltage .....	+5.5V
Signal Input Terminals: Voltage <sup>(2)</sup> .....	-0.5V to (V+) + 0.5V
Current <sup>(2)</sup> .....	±10mA
Output Short-Circuit .....	Continuous
Operating Temperature Range .....	-40°C to +125°C
Storage Temperature Range .....	-65°C to +150°C
Junction Temperature .....	+150°C
Lead Temperature (soldering, 10s) .....	+300°C

NOTES: (1) Stresses above these ratings may cause permanent damage. Exposure to absolute maximum conditions for extended periods may degrade device reliability. These are stress ratings only, and functional operation of the device at these or any other conditions beyond those specified is not implied.  
(2) Input terminals are diode clamped to the power-supply rails. Input signals that can swing more than 0.5V beyond the supply rails should be current limited to 10mA or less.

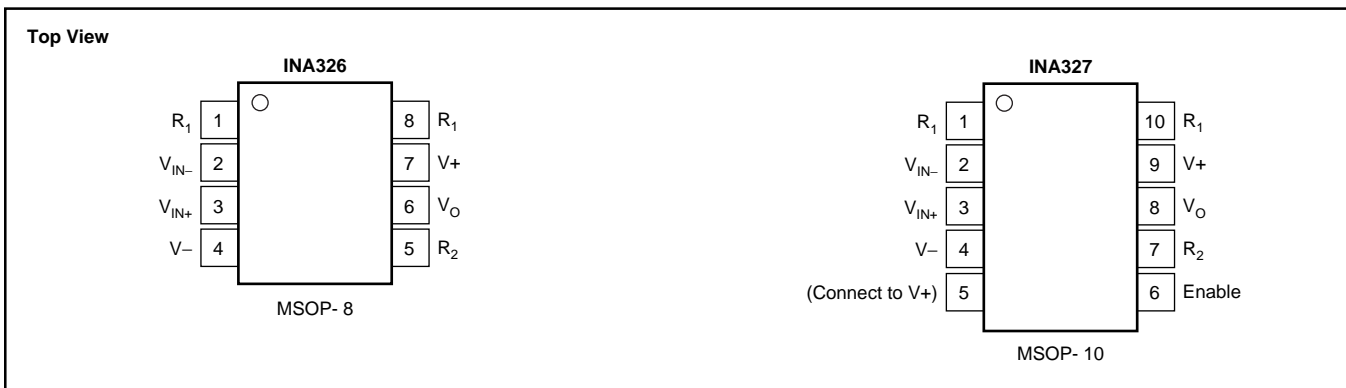


## ELECTROSTATIC DISCHARGE SENSITIVITY

This integrated circuit can be damaged by ESD. Texas Instruments recommends that all integrated circuits be handled with appropriate precautions. Failure to observe proper handling and installation procedures can cause damage.

ESD damage can range from subtle performance degradation to complete device failure. Precision integrated circuits may be more susceptible to damage because very small parametric changes could cause the device not to meet its published specifications.

## PIN CONFIGURATION



# ELECTRICAL CHARACTERISTICS: $V_S = +2.7V$ to $+5.5V$

**BOLDFACE** limits apply over the specified temperature range,  $T_A = -40^{\circ}C$  to  $+85^{\circ}C$

At  $T_A = +25^{\circ}C$ ,  $R_L = 10k\Omega$ ,  $G = 100$  ( $R_1 = 2k\Omega$ ,  $R_2 = 100k\Omega$ ), external gain set resistors, and  $I_{A_{COMMON}} = V_S/2$ , with external equivalent filter corner of 1kHz, unless otherwise noted.

PARAMETER	CONDITION	INA326EA, INA327EA			UNITS
		MIN	TYP	MAX	
<b>INPUT</b>					
Offset Voltage, RTI <b>Over Temperature vs Temperature</b> vs Power Supply Long-Term Stability Input Impedance, Differential Common-Mode	$V_{OS}$ $V_S = +5V, V_{CM} = V_S/2$ $dV_{OS}/dT$ $PSR$ $V_S = +2.7V$ to $+5.5V, V_{CM} = V_S/2$		$\pm 20$ $\pm 0.1$ $\pm 3$ See Note (1) $10^{10} \parallel 2$ $10^{10} \parallel 14$	$\pm 100$ <b><math>\pm 124</math></b> <b><math>\pm 0.4</math></b>	$\mu V$ $\mu V$ $\mu V/^{\circ}C$ $\mu V/V$
<b>Input Voltage Range</b> Safe Input Voltage Common-Mode Rejection <b>Over Temperature</b>	$CMR$ $V_S = +5V, V_{CM} = (V-) - 0.02V$ to $(V+) + 0.1V$	<b>(V-) - 0.02</b> <b>(V-) - 0.5</b> 100 <b>94</b>	114	<b>(V+) + 0.1</b> <b>(V+) + 0.5</b>	$\Omega \parallel pF$ $\Omega \parallel pF$ <b>V</b> <b>V</b> dB <b>dB</b>
<b>INPUT BIAS CURRENT</b>					
Bias Current <b>vs Temperature</b>	$I_B$ $V_{CM} = V_S/2$ $V_S = +5V$		$\pm 0.2$	$\pm 2$	nA
Offset Current	$I_{OS}$ $V_S = +5V$		See Typical Characteristics		nA
<b>NOISE</b>					
Voltage Noise, RTI f = 10Hz f = 100Hz f = 1kHz f = 0.01Hz to 10Hz	$R_S = 0\Omega, G = 100, R_1 = 2k\Omega, R_2 = 100k\Omega$		33 33 33 0.8		$nV/\sqrt{Hz}$ $nV/\sqrt{Hz}$ $nV/\sqrt{Hz}$ $\mu Vp-p$
Voltage Noise, RTI f = 10Hz f = 100Hz f = 1kHz f = 0.01Hz to 10Hz	$R_S = 0\Omega, G = 10, R_1 = 20k\Omega, R_2 = 100k\Omega$		120 97 97 4		$nV/\sqrt{Hz}$ $nV/\sqrt{Hz}$ $nV/\sqrt{Hz}$ $\mu Vp-p$
Current Noise, RTI f = 1kHz f = 0.01Hz to 10Hz			0.15 4.2		$pA/\sqrt{Hz}$ $pAp-p$
Output Ripple, $V_O$ Filtered <sup>(2)</sup>			See Applications Information		
<b>GAIN</b>					
Gain Equation Range of Gain Gain Error <sup>(3)</sup> <b>vs Temperature</b> Nonlinearity	$G = 10, 100, V_S = +5V, V_O = 0.075V$ to $4.925V$ <b><math>G = 10, 100, V_S = +5V, V_O = 0.075V</math> to <math>4.925V</math></b> $G = 10, 100, V_S = +5V, V_O = 0.075V$ to $4.925V$	< 0.1	$G = 2(R_2/R_1)$ $\pm 0.08$ <b><math>\pm 6</math></b> $\pm 0.004$	> 10000 $\pm 0.2$ <b><math>\pm 25</math></b> $\pm 0.01$	V/V % <b>ppm/^{\circ}C</b> % of FS
<b>OUTPUT</b>					
Voltage Output Swing from Rail <b>Over Temperature</b> Capacitive Load Drive Short-Circuit Current	$I_{SC}$ $R_L = 100k\Omega$ $R_L = 10k\Omega, V_S = +5V$	75 <b>75</b>	5 10 500 $\pm 25$		mV mV <b>mV</b> pF mA
<b>INTERNAL OSCILLATOR</b>					
Frequency of Auto-Correction Accuracy			90 $\pm 20$		kHz %
<b>FREQUENCY RESPONSE</b>					
Bandwidth <sup>(4)</sup> , -3dB Slew Rate <sup>(4)</sup> Settling Time <sup>(4)</sup> , 0.1% 0.01% 0.1% 0.01% Overload Recovery <sup>(4)</sup>	$BW$ $SR$ $t_s$ 1kHz Filter, $G = 1$ to $1k, V_O = 2V$ step, $C_L = 100pF$ 10kHz Filter, $G = 1$ to $1k, V_O = 2V$ step, $C_L = 100pF$ 1kHz Filter, 50% Output Overload, $G = 1$ to $1k$ 10kHz Filter, 50% Output Overload, $G = 1$ to $1k$	$G = 1$ to $1k$ $V_S = +5V$ , All Gains, $C_L = 100pF$	1 Filter Limited 0.95 1.3 130 160 30 5		kHz ms ms $\mu s$ $\mu s$ $\mu s$ $\mu s$

# ELECTRICAL CHARACTERISTICS: $V_S = +2.7V$ to $+5.5V$ (Cont.)

**BOLDFACE** limits apply over the specified temperature range,  $T_A = -40^{\circ}C$  to  $+85^{\circ}C$

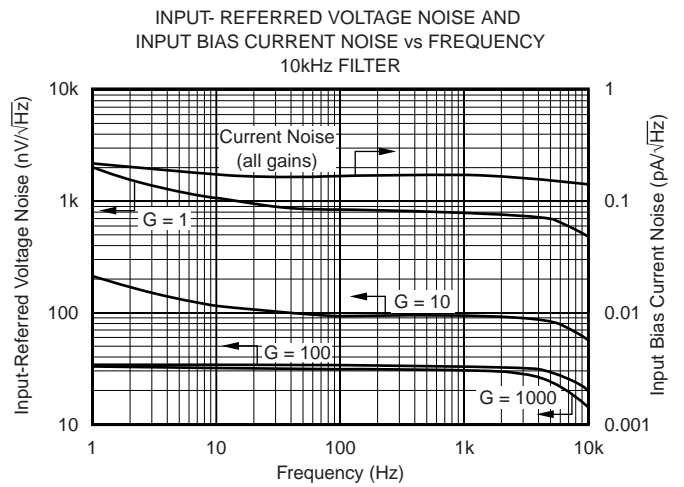
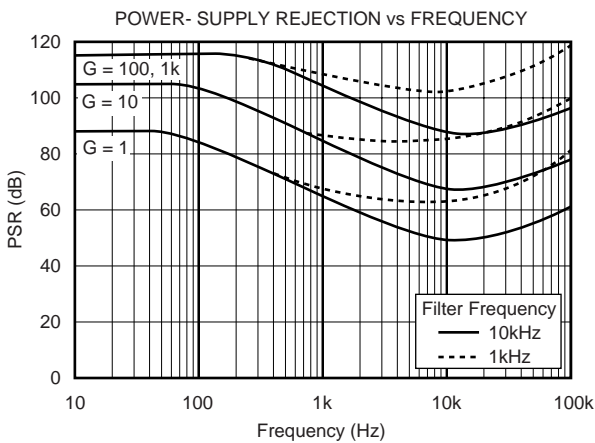
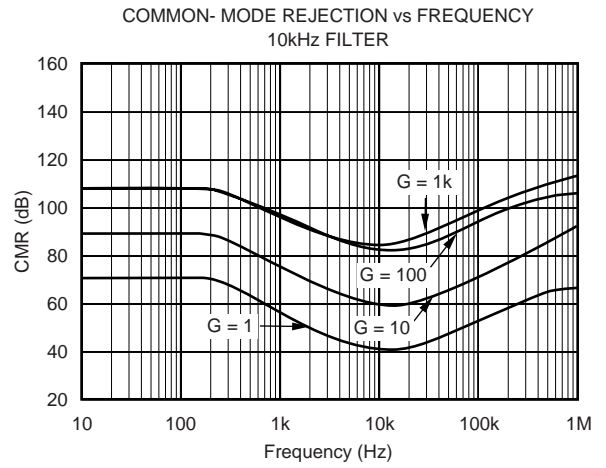
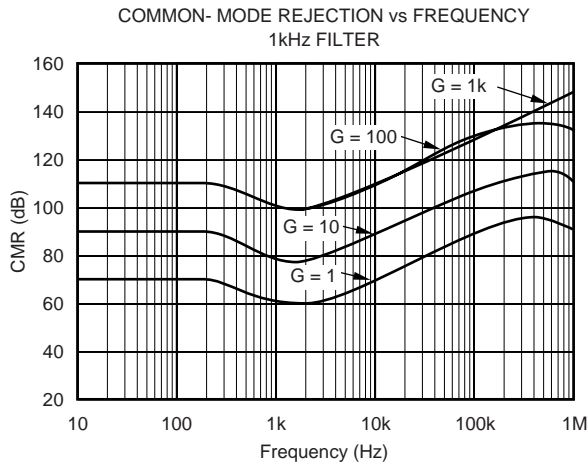
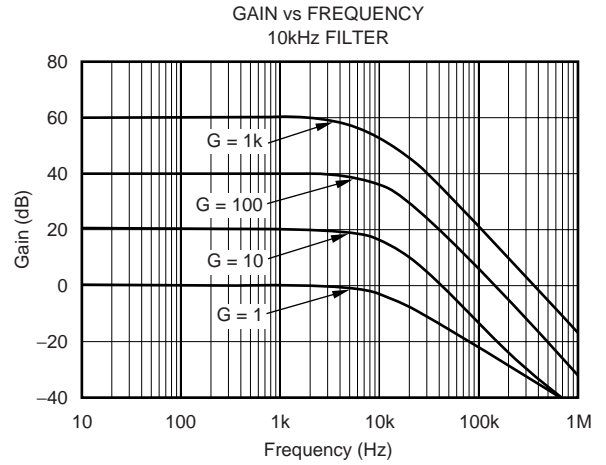
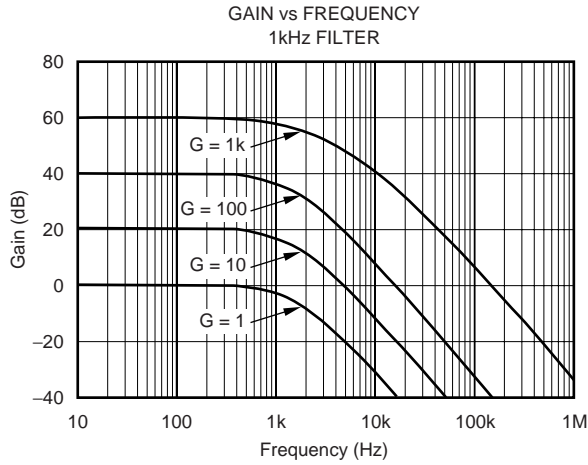
At  $T_A = +25^{\circ}C$ ,  $R_L = 10k\Omega$ ,  $G = 100$  ( $R_1 = 2k\Omega$ ,  $R_2 = 100k\Omega$ ), external gain set resistors, and  $I_{A_{COMMON}} = V_S/2$ , with external equivalent filter corner of 1kHz, unless otherwise noted.

PARAMETER	CONDITION	INA326EA, INA327EA			UNITS
		MIN	TYP	MAX	
<b>POWER SUPPLY</b>					
Specified Voltage Range	$I_O = 0$ , Diff $V_{IN} = 0V$ , $V_S = +5V$	+2.7		+5.5	V
Quiescent Current			2.4	3.4	mA
<b>Over Temperature</b>				<b>3.7</b>	<b>mA</b>
<b>SHUTDOWN</b>					
Disable (Logic Low Threshold)	$V_S = +5V$ , Disabled	1.6		0.25	V
Enable (Logic High Threshold)					V
Enable Time <sup>(5)</sup>			75		$\mu s$
Disable Time			100		$\mu s$
Shutdown Current and Enable Pin Current			2	5	$\mu A$
<b>TEMPERATURE RANGE</b>					
Specified Range	$\theta_{JA}$ MSOP-8, MSOP-10 Surface-Mount	-40		+85	$^{\circ}C$
Operating Range		-40		+125	$^{\circ}C$
Storage Range		-65		+150	$^{\circ}C$
Thermal Resistance			150		$^{\circ}C/W$

NOTES: (1) 1000-hour life test at  $150^{\circ}C$  demonstrated randomly distributed variation in the range of measurement limits—approximately  $10\mu V$ . (2) See Applications Information section, and Figures 1 and 3. (3) Does not include error and TCR of external gain-setting resistors. (4) Dynamic response is limited by filtering. Higher bandwidths can be achieved by adjusting the filter. (5) See Typical Characteristics, "Input Offset Voltage vs Warm-Up Time".

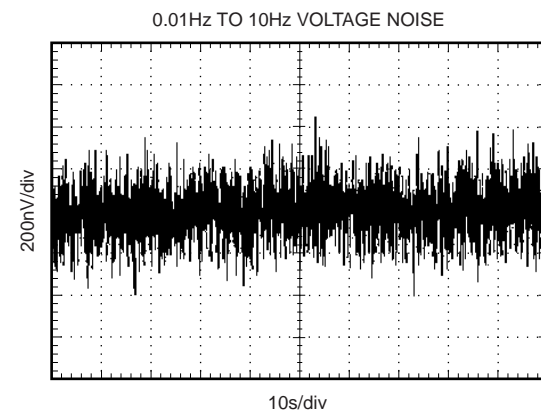
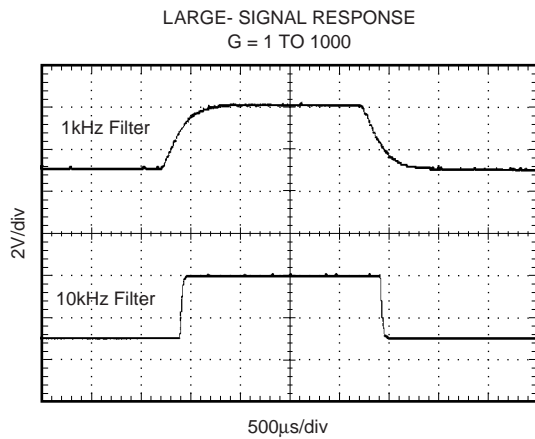
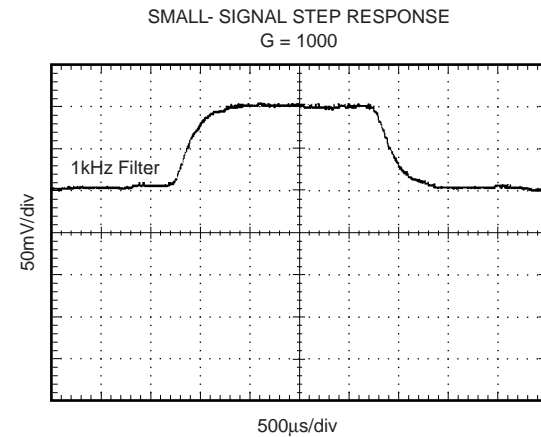
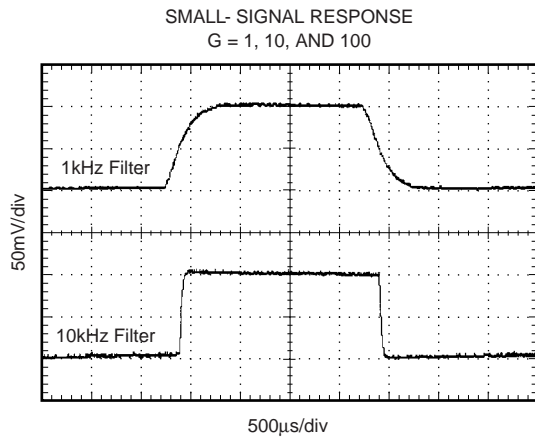
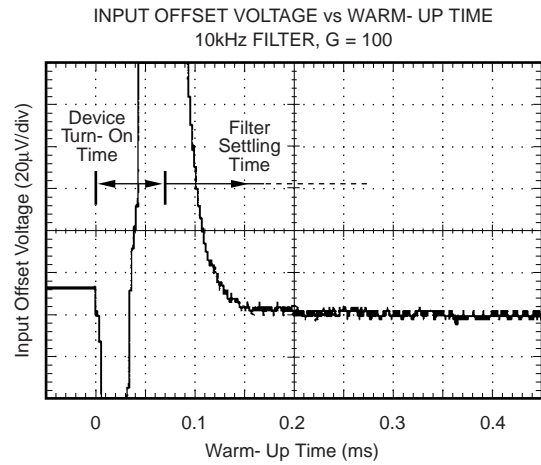
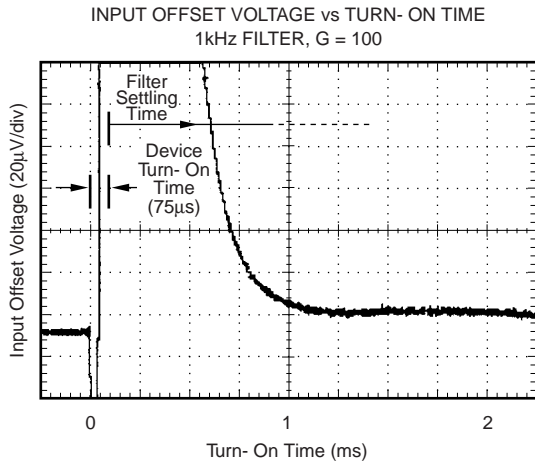
# TYPICAL CHARACTERISTICS

At  $T_A = 25^\circ\text{C}$ ,  $V_S = +5\text{V}$ , Gain = 100, and  $R_L = 10\text{k}\Omega$  with external equivalent filter corner of 1kHz, unless otherwise noted.



# TYPICAL CHARACTERISTICS (Cont.)

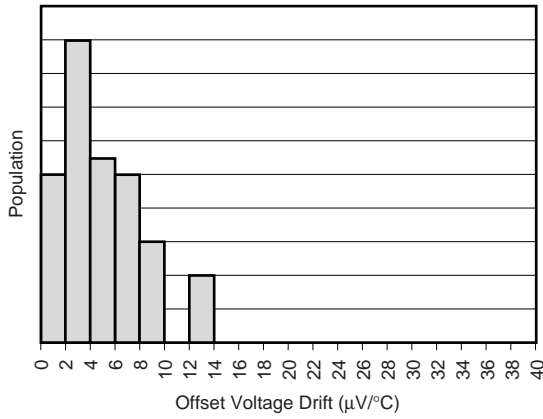
At  $T_A = 25^\circ\text{C}$ ,  $V_S = +5\text{V}$ , Gain = 100, and  $R_L = 10\text{k}\Omega$  with external equivalent filter corner of 1kHz, unless otherwise noted.



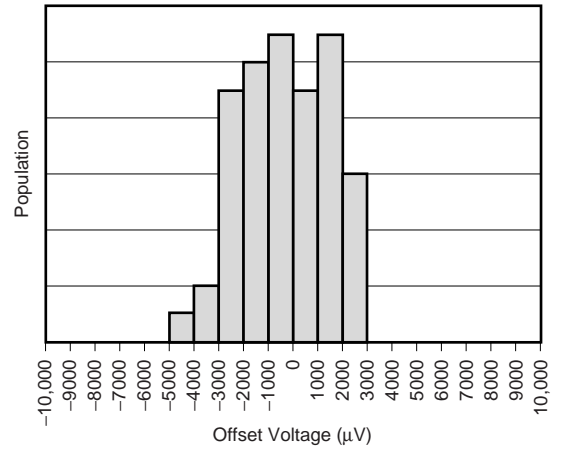
# TYPICAL CHARACTERISTICS (Cont.)

At  $T_A = 25^\circ\text{C}$ ,  $V_S = +5\text{V}$ , Gain = 100, and  $R_L = 10\text{k}\Omega$  with external equivalent filter corner of 1kHz, unless otherwise noted.

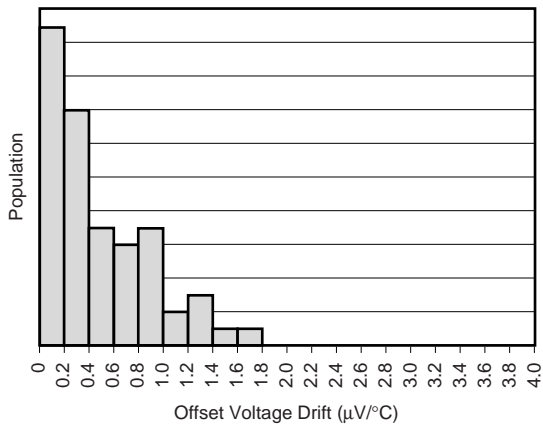
OFFSET VOLTAGE DRIFT PRODUCTION DISTRIBUTION  
G = 1



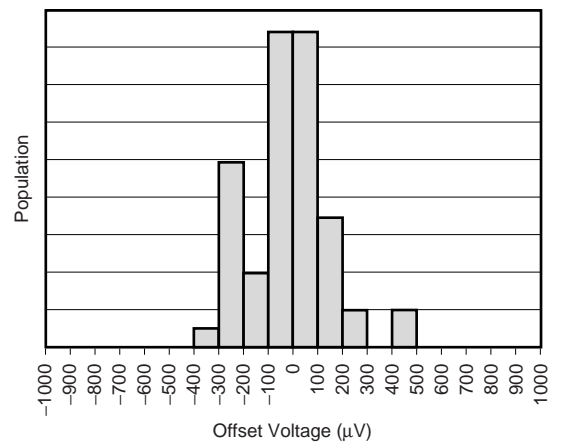
OFFSET VOLTAGE PRODUCTION DISTRIBUTION  
G = 1



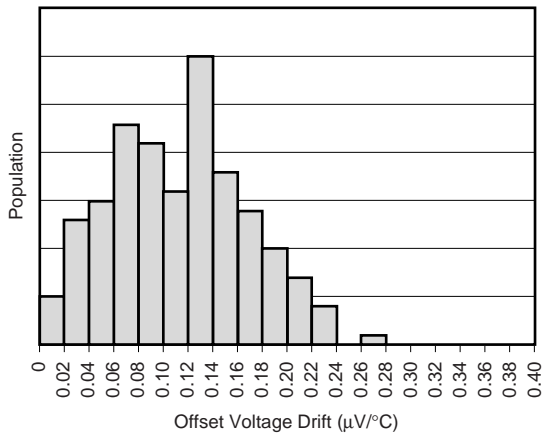
OFFSET VOLTAGE DRIFT PRODUCTION DISTRIBUTION  
G = 10



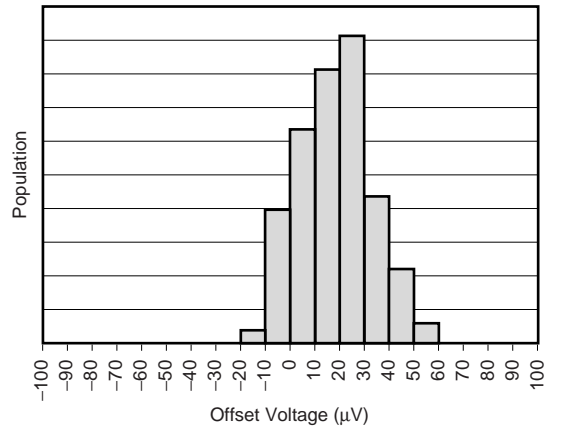
OFFSET VOLTAGE PRODUCTION DISTRIBUTION  
G = 10



OFFSET VOLTAGE DRIFT PRODUCTION DISTRIBUTION  
G = 100, 1000



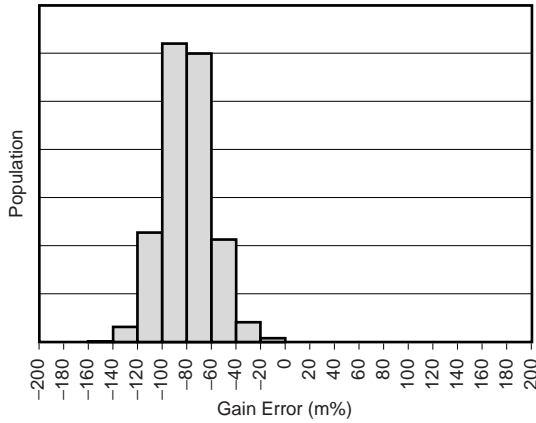
OFFSET VOLTAGE PRODUCTION DISTRIBUTION  
G = 100, 1000



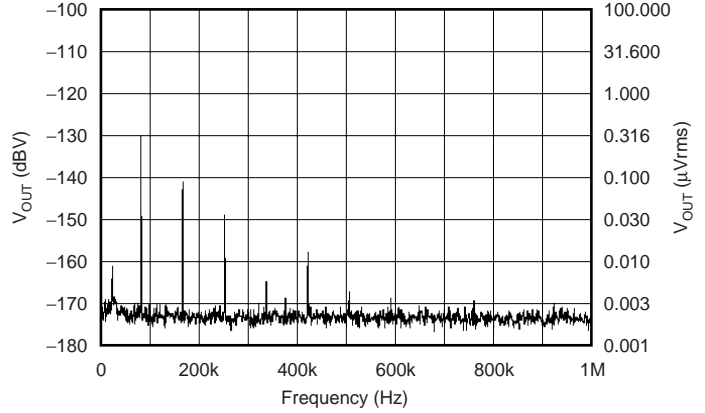
# TYPICAL CHARACTERISTICS (Cont.)

At  $T_A = 25^\circ\text{C}$ ,  $V_S = +5\text{V}$ , Gain = 100, and  $R_L = 10\text{k}\Omega$  with external equivalent filter corner of 1kHz, unless otherwise noted.

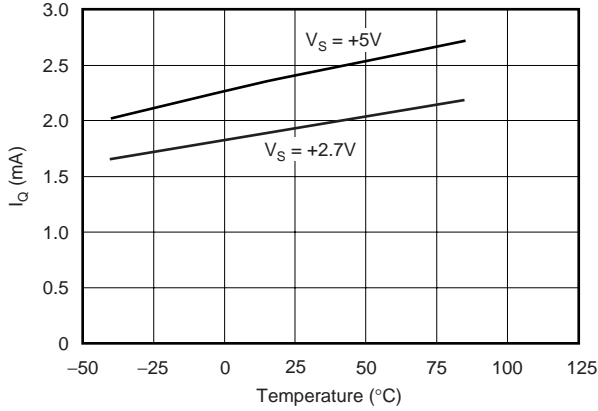
GAIN ERROR PRODUCTION DISTRIBUTION  
G = 100



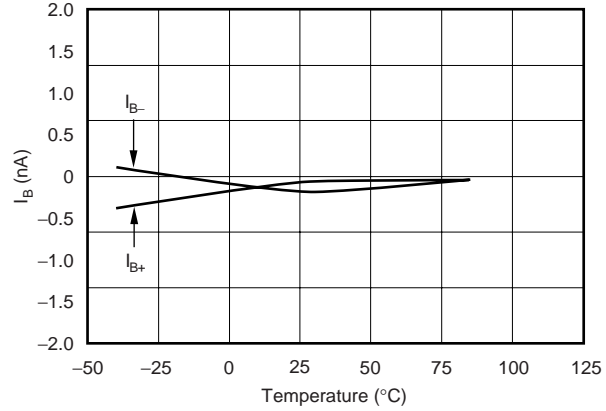
INPUT- REFERRED RIPPLE SPECTRUM  
G = 100



QUIESCENT CURRENT vs TEMPERATURE



INPUT BIAS CURRENT vs TEMPERATURE





# APPLICATIONS INFORMATION

Figure 1 shows the basic connections required for operation of the INA326. A 0.1µF capacitor, placed close to and across the power-supply pins is strongly recommended for highest accuracy.  $R_O C_O$  is an output filter that minimizes auto-correction circuitry noise. This output filter may also serve as an anti-aliasing filter ahead of an Analog-to-Digital (A/D) converter. It is also optional based on desired precision.

The output reference terminal is taken at the low side of  $R_2$  ( $I_{A\_COMMON}$ ).

The INA326 uses a unique internal topology to achieve excellent Common-Mode Rejection (CMR). Unlike conventional instrumentation amplifiers, CMR is not affected by resistance in the reference connections or sockets. See "Inside the INA326" for further detail. To achieve best high-frequency CMR, minimize capacitance on pins 1 and 8.

## SETTING THE GAIN

The INA326 is a 2-stage amplifier with each stage gain set by  $R_1$  and  $R_2$ , respectively (see Figure 5, "Inside the INA326", for details). Overall gain is described by the equation:

$$G = 2 \frac{R_2}{R_1} \quad (1)$$

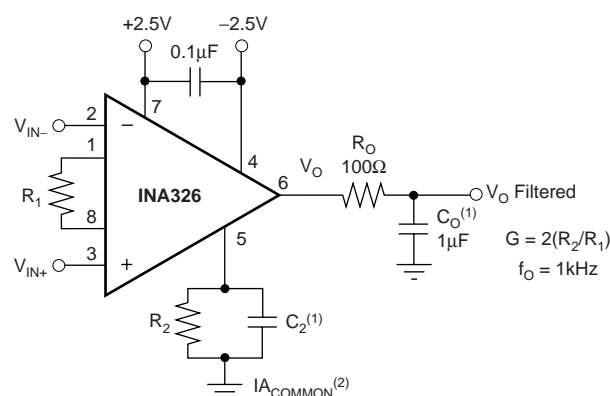
The stability and temperature drift of the external gain-setting resistors will affect gain by an amount that can be directly inferred from the gain equation (1).

Resistor values for commonly used gains are shown in Figure 1. Gain-set resistor values for best performance are different for +5V single-supply and for ±2.5V dual-supply operation. Optimum value for  $R_1$  can be calculated by:

$$R_1 = V_{IN\_MAX} / 12.5\mu A \quad (2)$$

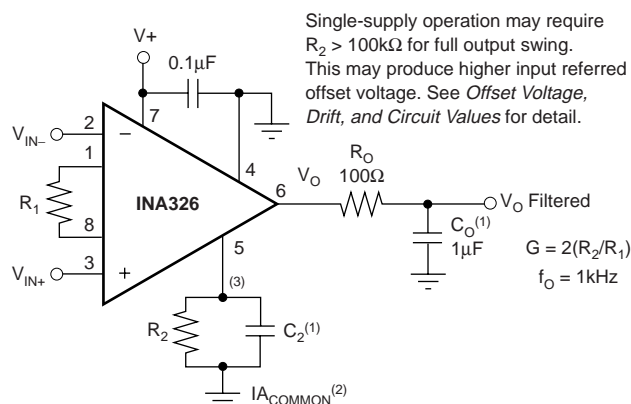
where  $R_1$  must be no less than 2kΩ.

DESIRED GAIN	$R_1$ (Ω)	$R_2 \parallel C_2$ (Ω    nF)
0.1	400k	20k    5
0.2	400k	40k    2.5
0.5	400k	100k    1
1	200k	100k    1
2	100k	100k    1
5	40k	100k    1
10	20k	100k    1
20	10k	100k    1
50	4k	100k    1
100	2k	100k    1
200	2k	200k    0.5
500	2k	500k    0.2
1000	2k	1M    0.1
2000	2k	2M    0.05
5000	2k	5M    0.02
10000	2k	10M    0.01



- (1)  $C_2$  and  $C_O$  combine to form a 2-pole response that is -3dB at 1kHz. Each individual pole is at 1.5kHz.  
 (2) Output voltage is referenced to  $I_{A\_COMMON}$  (see text).

DESIRED GAIN	$R_1$ (Ω)	$R_2 \parallel C_2$ (Ω    nF)
0.1	400k	20k    5
0.2	400k	40k    2.5
0.5	400k	100k    1
1	400k	200k    0.5
2	200k	200k    0.5
5	80k	200k    0.5
10	40k	200k    0.5
20	20k	200k    0.5
50	8k	200k    0.5
100	4k	200k    0.5
200	2k	200k    0.5
500	2k	500k    0.2
1000	2k	1M    0.1
2000	2k	2M    0.05
5000	2k	5M    0.02
10000	2k	10M    0.01



- Single-supply operation may require  $R_2 > 100k\Omega$  for full output swing. This may produce higher input referred offset voltage. See *Offset Voltage, Drift, and Circuit Values* for detail.  
 (1)  $C_2$  and  $C_O$  combine to form a 2-pole response that is -3dB at 1kHz. Each individual pole is at 1.5kHz.  
 (2) Output voltage is referenced to  $I_{A\_COMMON}$  (see text).  
 (3) Output offset voltage required for measurement near zero (see Figure 28).

NOTES: (1)  $C_2$  and  $C_O$  combine to form a 2-pole response that is -3dB at 1kHz. Each individual pole is at 1.5kHz. (2) Output voltage is referenced to  $I_{A\_COMMON}$  (see text). (3) Output offset voltage required for measurement near zero (see Figure 6).

FIGURE 1. Basic Connections. NOTE: Connections for INA327 differ—see Pin Configuration for detail.

Following this design procedure for  $R_1$  produces the maximum possible input stage gain for best accuracy and lowest noise. Circuit layout and supply bypassing can affect performance. Minimize the stray capacitance on pins 1 and 8. Use recommended supply bypassing, including a capacitor directly from pin 7 to pin 4 ( $V_+$  to  $V_-$ ), even with dual (split) power supplies (see Figure 1).

## OFFSET VOLTAGE, DRIFT, AND CIRCUIT VALUES

As with other multi-stage instrumentation amplifiers, input-referred offset voltage depends on gain and circuit values. The specified offset and drift performance is rated at  $R_1 = 2k\Omega$ ,  $R_2 = 100k\Omega$ , and  $V_S = \pm 2.5V$ . Offset voltage and drift for other circuit values can be estimated from the following equations:

$$V_{OS} = 10\mu V + (50nA)(R_2)/G \quad (3)$$

$$dV_{OS}/dT = 0.12\mu V/^\circ C + (0.16nA/^\circ C)(R_2)/G \quad (4)$$

These equations might imply that offset and drift can be minimized by making the value of  $R_2$  much lower than the values indicated in Figure 1. These values, however, have been chosen to assure that the output current into  $R_2$  is kept less than or equal to  $\pm 25\mu A$ , while maintaining  $R_1$ 's value greater than or equal to  $2k\Omega$ . Some applications with limited output voltage swing or low power-supply voltage may allow lower values for  $R_2$ , thus providing lower input-referred offset voltage and offset voltage drift.

Conversely, single-supply operation with  $R_2$  grounded requires that  $R_2$  values be made larger to assure that current remains under  $25\mu A$ . This will increase the input-referred offset voltage and offset voltage drift.

Circuit conditions that cause more than  $25\mu A$  to flow in  $R_2$  will not cause damage, but may produce more nonlinearity.

## INA327 ENABLE FUNCTION

The INA327 adds an enable/shutdown function to the INA326. Its pinout differs from the INA326—see the Pin Configuration for detail.

The INA327 can be enabled by applying a logic HIGH voltage level to the Enable pin. Conversely, a logic LOW voltage level will disable the amplifier, reducing its supply current from  $2.4mA$  to typically  $2\mu A$ . For battery-operated applications, this feature may be used to greatly reduce the average current and extend battery life. This pin should be connected to a valid high or low voltage or driven, not left open circuit. The Enable pin can be modeled as a CMOS input gate as in Figure 2.

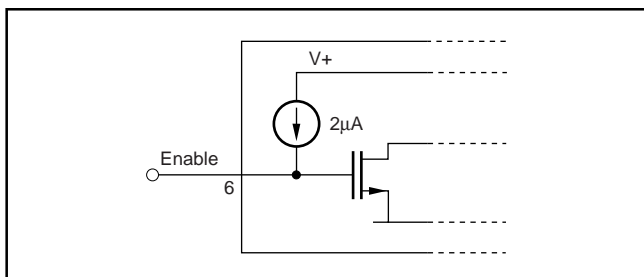


FIGURE 2. Enable Pin Model.

The enable time following shutdown is  $75\mu s$  plus the settling time due to filters (see Typical Characteristics, "Input Offset Voltage vs Warm-up Time"). Disable time is  $100\mu s$ . This allows the INA327 to be operated as a "gated" amplifier, or to have its output multiplexed onto a common output bus. When disabled, the output assumes a high-impedance state.

## INA327 PIN 5

Pin 5 of the INA327 should be connected to  $V_+$  to ensure proper operation.

## DYNAMIC PERFORMANCE

The typical characteristic "Gain vs Frequency" shows that the INA326 has nearly constant bandwidth regardless of gain. This results from the bandwidth limiting from the recommended filters.

## NOISE PERFORMANCE

Internal auto-correction circuitry eliminates virtually all  $1/f$  noise (noise that increases at low frequency) in gains of 100 or greater. Noise performance is affected by gain-setting resistor values. Follow recommendations in the "Setting Gain" section for best performance.

Total noise is a combination of input stage noise and output stage noise. When referred to the input, the total mid-band noise is:

$$V_N = 33nV/\sqrt{Hz} + \frac{800nV/\sqrt{Hz}}{G} \quad (5)$$

The output noise has some  $1/f$  components that affect performance in gains less than 10. See typical characteristic "Input-Referred Voltage Noise vs Frequency."

High-frequency noise is created by internal auto-correction circuitry and is highly dependent on the filter characteristics chosen. This may be the dominant source of noise visible when viewing the output on an oscilloscope. Low cutoff frequency filters will provide lowest noise. Figure 3 shows the typical noise performance as a function of cutoff frequency.

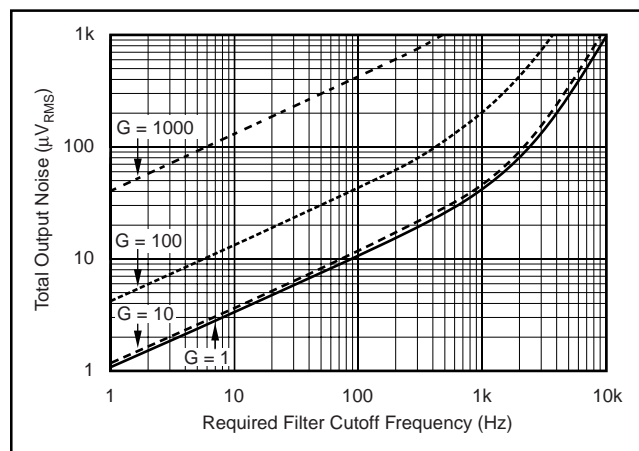


FIGURE 3. Total Output Noise vs Required Filter Cutoff Frequency.

Applications sensitive to the spectral characteristics of high-frequency noise may require consideration of the spurious frequencies generated by internal clocking circuitry. “Spurs” occur at approximately 90kHz and its harmonics (see typical characteristic “Input-Referred Ripple Spectrum”) which may be reduced by additional filtering below 1kHz.

Insufficient filtering at pin 5 can cause nonlinearity with large output voltage swings (very near the supply rails). Noise must be sufficiently filtered at pin 5 so that noise peaks do not “hit the rail” and change the average value of the signal. Figure 3 shows guidelines for filter cutoff frequency.

## HIGH-FREQUENCY NOISE

$C_2$  and  $C_O$  form filters to reduce internally generated auto-correction circuitry noise. Filter frequencies can be chosen to optimize the trade-off between noise and frequency response of the application, as shown in Figure 3. The cutoff frequencies of the filters are generally set to the same frequency. Figure 3 shows the typical output noise for four gains as a function of the  $-3\text{dB}$  cutoff frequency of each filter response. Small signals may exhibit the addition of internally generated auto-correction circuitry noise at the output. This noise, combined with broadband noise, becomes most evident in higher gains with filters of wider bandwidth.

## INPUT BIAS CURRENT RETURN PATH

The input impedance of the INA326 is extremely high—approximately  $10^{10}\Omega$ . However, a path must be provided for the input bias current of both inputs. This input bias current is approximately  $\pm 0.2\text{nA}$ . High input impedance means that this input bias current changes very little with varying input voltage.

Input circuitry must provide a path for this input bias current for proper operation. Figure 4 shows provision for an input bias current path in a thermocouple application. Without a bias current path, the inputs will float to an undefined potential and the output voltage may not be valid.

## INPUT COMMON-MODE RANGE

Common instrumentation amplifiers do not respond linearly with common-mode signals near the power-supply rails, even if “rail-to-rail” op amps are used. The INA326 uses a unique topology to achieve true rail-to-rail input behavior (see Figure 5, “Inside the INA326”). The linear input voltage range of each input terminal extends to 20mV below the negative rail, and 100mV above the positive rail.

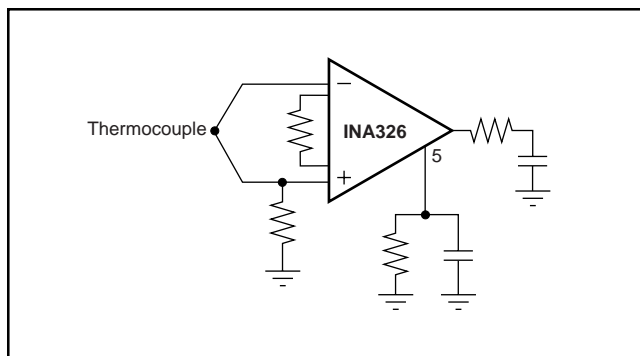


FIGURE 4. Providing Input Bias Current Return Path.

## INPUT PROTECTION

The inputs of the INA326 are protected with internal diodes connected to the power-supply rails. These diodes will clamp the applied signal to prevent it from damaging the input circuitry. If the input signal voltage can exceed the power supplies by more than 0.5V, the input signal current should be limited to less than 10mA to protect the internal clamp diodes. This can generally be done with a series input resistor. Some signal sources are inherently current-limited and do not require limiting resistors.

## FILTERING

Filtering can be adjusted through selection of  $R_2C_2$  and  $R_O C_O$  for the desired trade-off of noise and bandwidth. Adjustment of these components will result in more or less ripple due to auto-correction circuitry noise and will also affect broadband noise. Filtering limits slew rate, settling time, and output overload recovery time.

It is generally desirable to keep the resistance of  $R_O$  relatively low to avoid DC gain error created by the subsequent stage loading. This may result in relatively high values for  $C_O$  to produce the desired filter response. The impedance of  $R_O C_O$  can be scaled higher to produce smaller capacitor values if the load impedance is very high.

Certain capacitor types greater than  $0.1\mu\text{F}$  may have dielectric absorption effects that can significantly increase settling time in high-accuracy applications (settling to 0.01%). Polypropylene, polystyrene, and polycarbonate types are generally good. Certain “high-K” ceramic types may produce slow settling “tails.” Settling time to 0.1% is not generally affected by high-K ceramic capacitors. Electrolytic types are not recommended for  $C_2$  and  $C_O$ .

# INSIDE THE INA326

The INA326 uses a new, unique internal circuit topology that provides true rail-to-rail input. Unlike other instrumentation amplifiers, it can linearly process inputs up to 20mV below the negative power-supply rail, and 100mV above the positive power-supply rail. Conventional instrumentation amplifier circuits cannot deliver such performance, even if rail-to-rail op amps are used.

The ability to reject common-mode signals is derived in most instrumentation amplifiers through a combination of amplifier CMR and accurately matched resistor ratios. The INA326 converts the input voltage to a current. Current-mode signal processing provides rejection of common-mode input voltage and power-supply variation without accurately matched resistors.

A simplified diagram shows the basic circuit function. The differential input voltage,  $(V_{IN+}) - (V_{IN-})$  is applied across  $R_1$ . The signal-generated current through  $R_1$  comes from

A1 and A2's output stages. A2 combines the current in  $R_1$  with a mirrored replica of the current from A1. The resulting current in A2's output and associated current mirror is two times the current in  $R_1$ . This current flows in (or out) of pin 5 into  $R_2$ . The resulting gain equation is:

$$G = 2 \frac{R_2}{R_1}$$

Amplifiers A1, A2, and their associated mirrors are powered from internal charge-pumps that provide voltage supplies that are beyond the positive and negative supply rails. As a result, the voltage developed on  $R_2$  can actually swing 20mV *below* the negative power-supply rail, and 100mV *above* the positive supply rail. A3 provides a buffered output of the voltage on  $R_2$ . A3's input stage is also operated from the charge-pumped power supplies for true rail-to-rail operation.

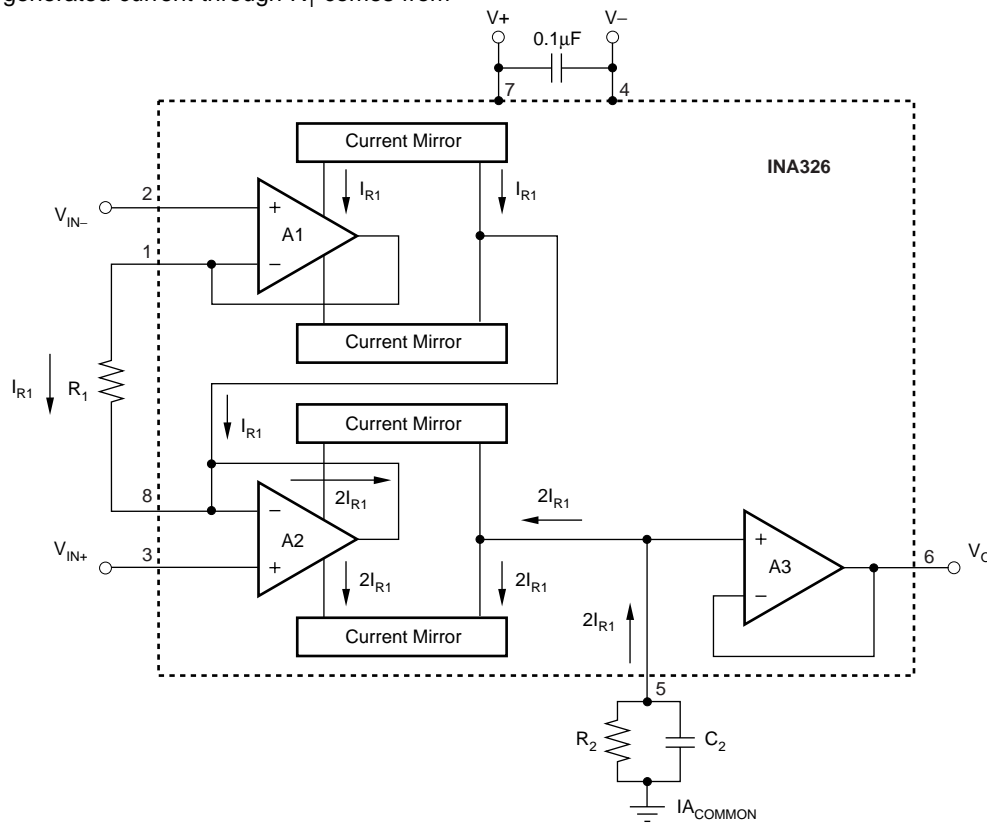


FIGURE 5. Simplified Circuit Diagram.

# APPLICATION CIRCUITS

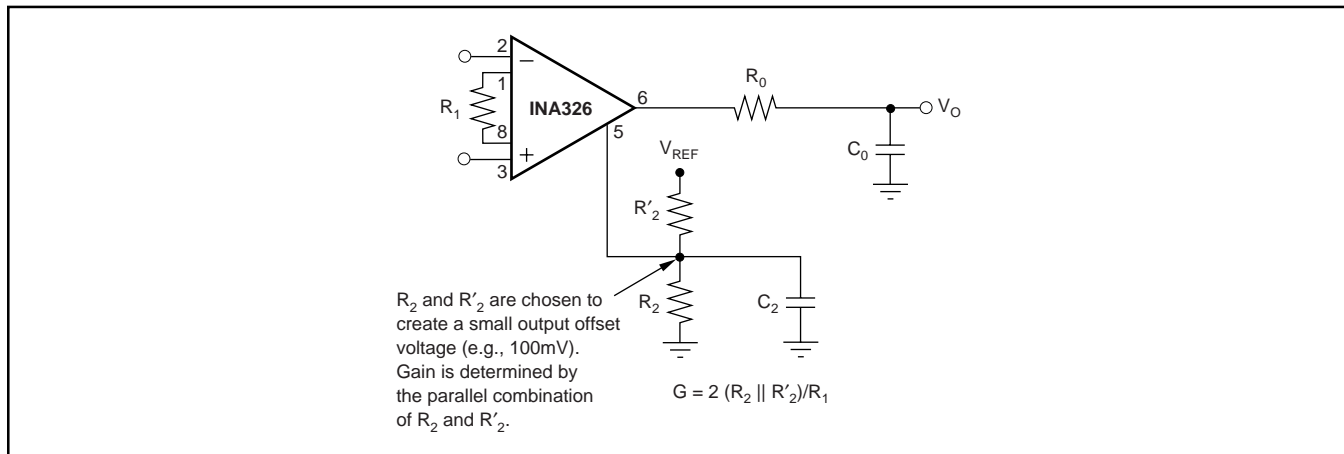


FIGURE 6. Generating Output Offset Voltage.

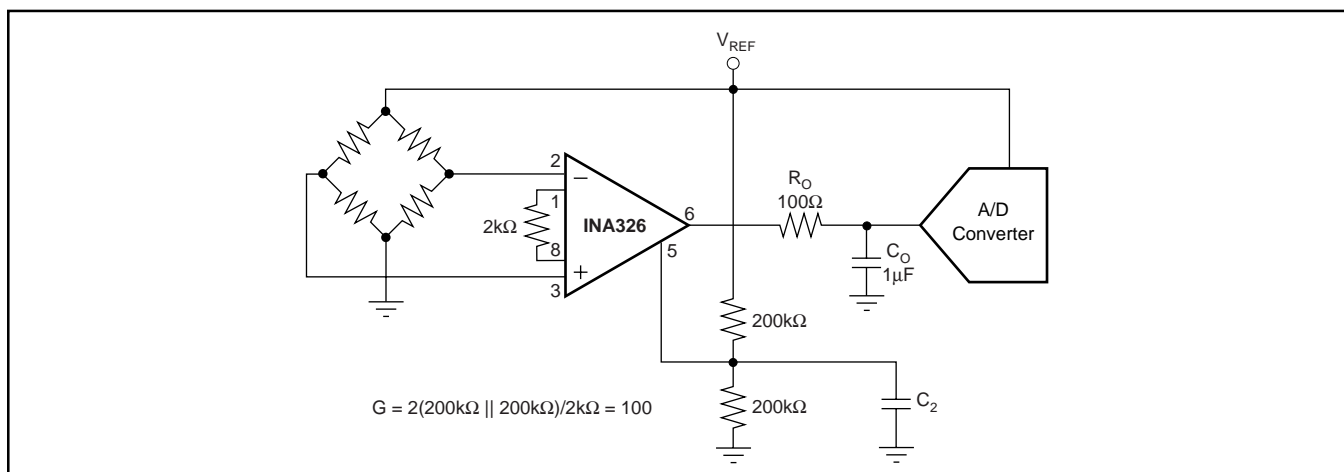


FIGURE 7. Output Referenced to  $V_{REF}/2$ .

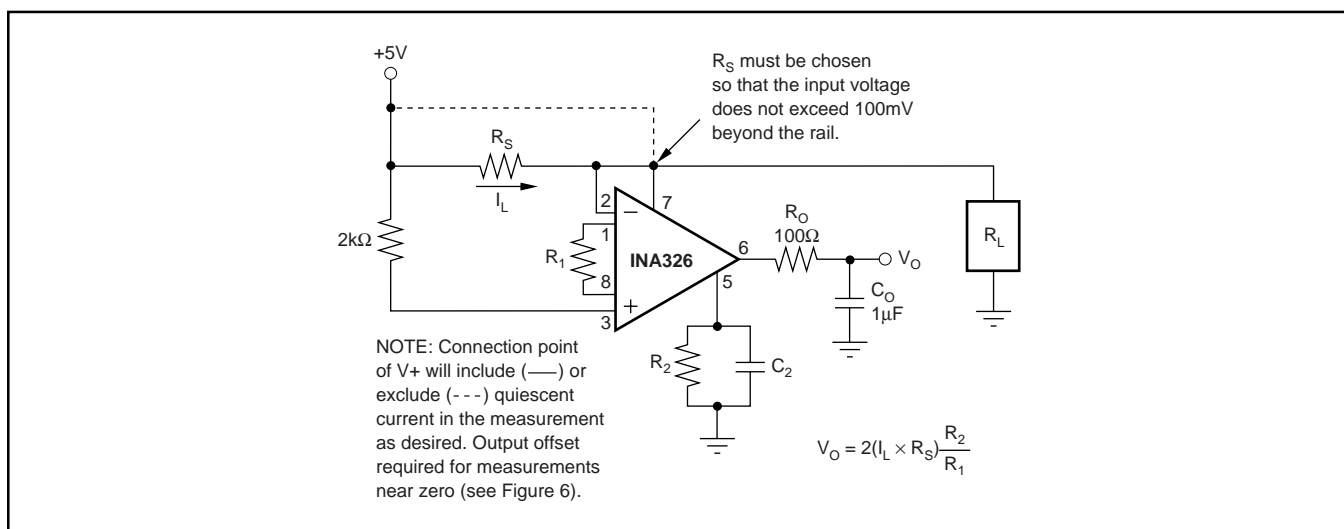


FIGURE 8. High-Side Current Shunt Measurement.

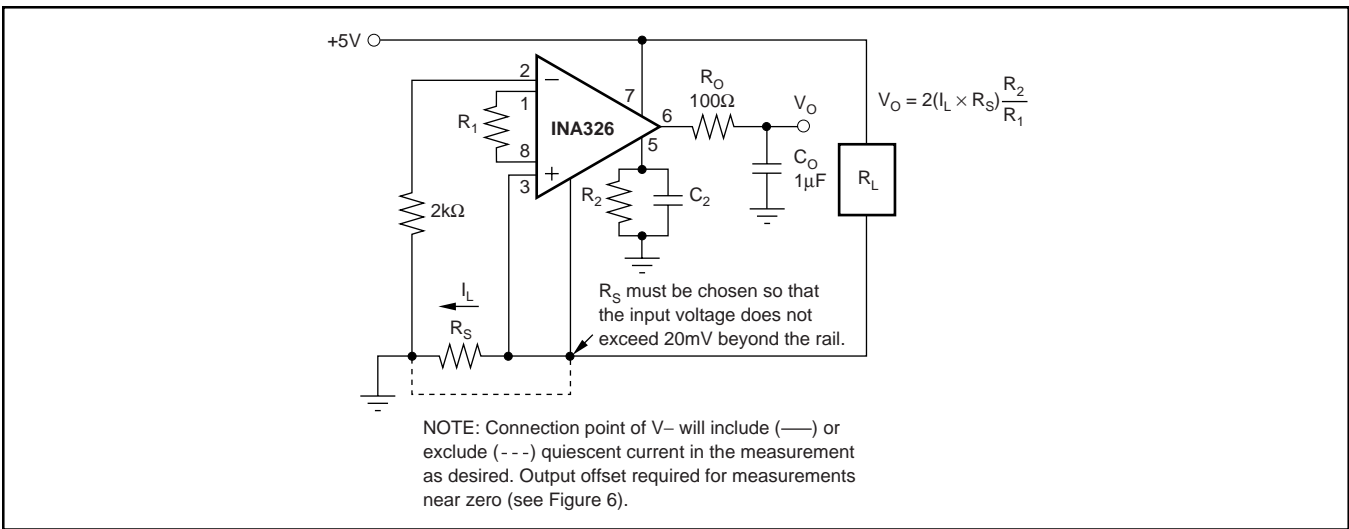


FIGURE 9. Low-Side Current Shunt Measurement.

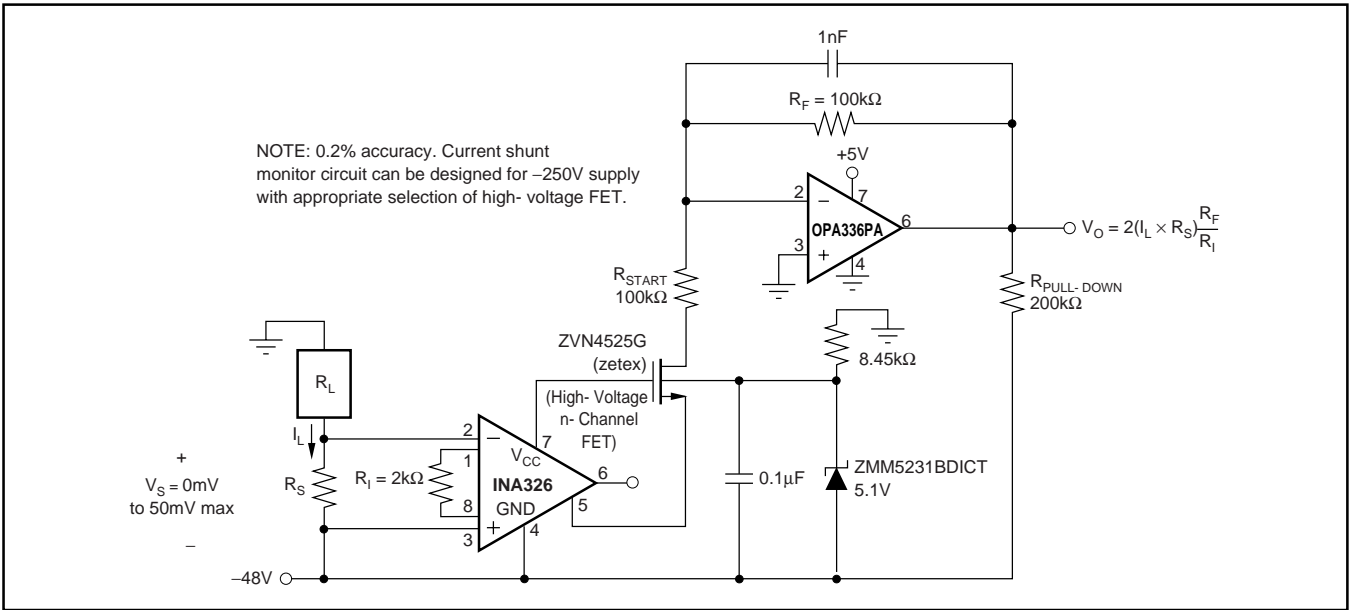


FIGURE 10. Low-Side -48V Current Shunt Monitor.

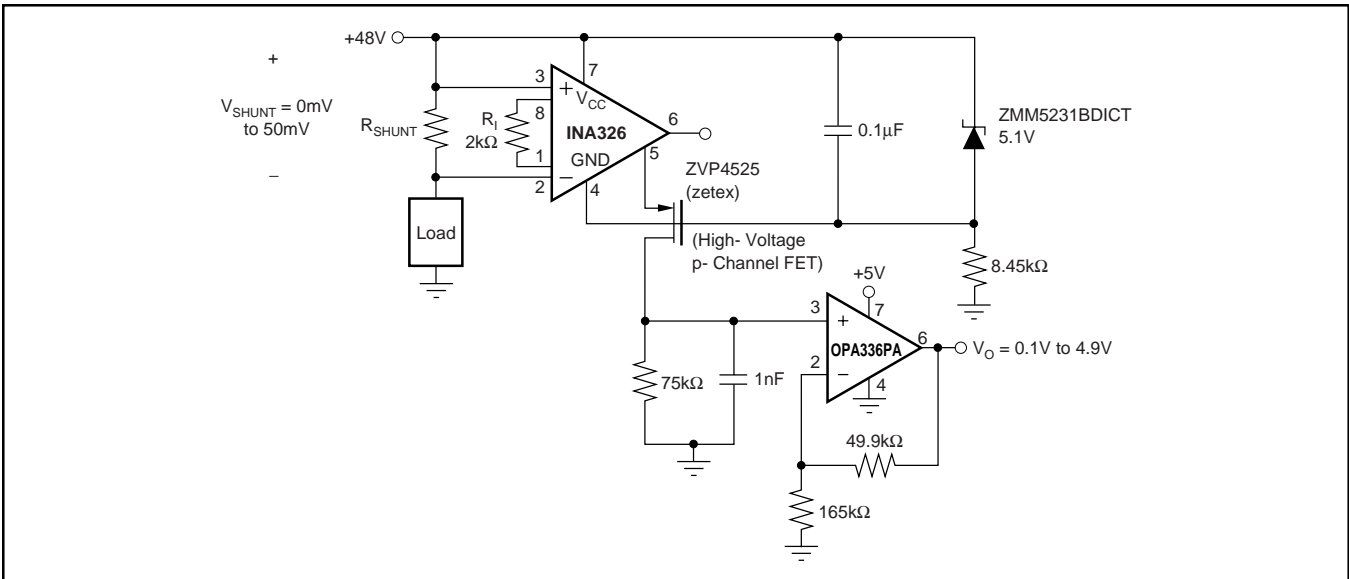


FIGURE 11. High-Side +48V Current Shunt Monitor.

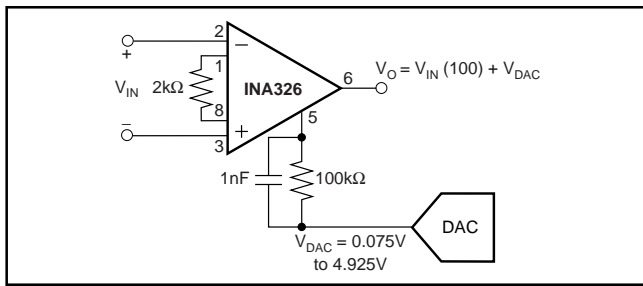


FIGURE 12. Output Offset Adjustment.

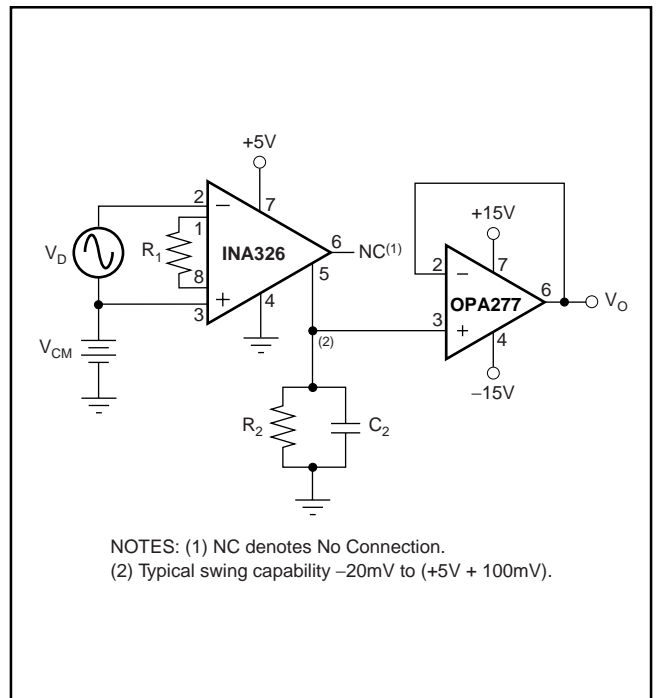


FIGURE 14. Output from Pin 5 to Allow Swing Beyond the Rail.

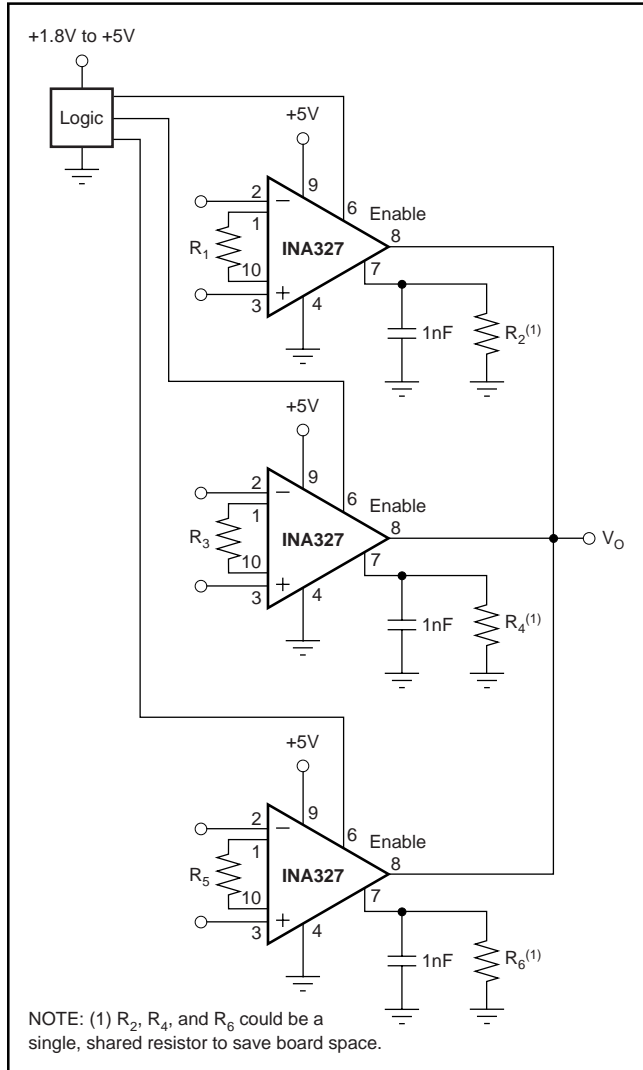


FIGURE 13. Multiplexed Output.

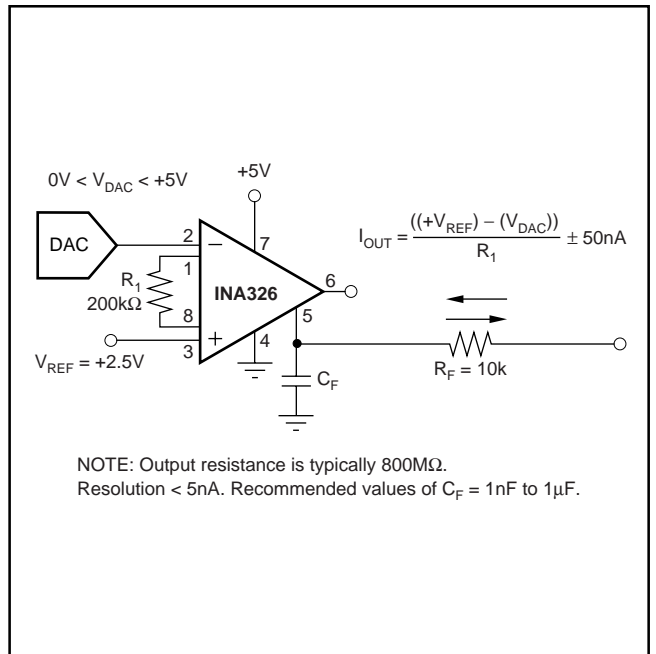


FIGURE 15. Programmable  $\pm 25\mu\text{A}$  Current Source with High Output Resistance.

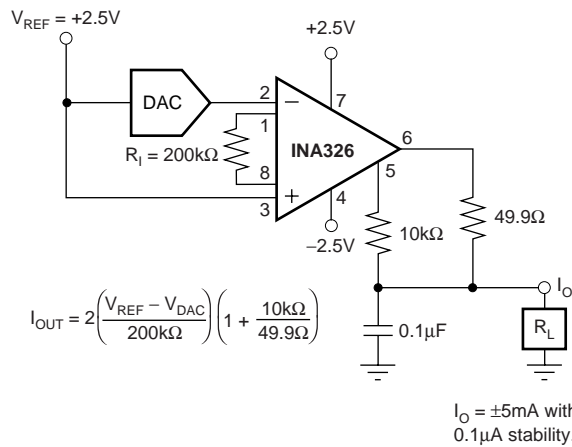
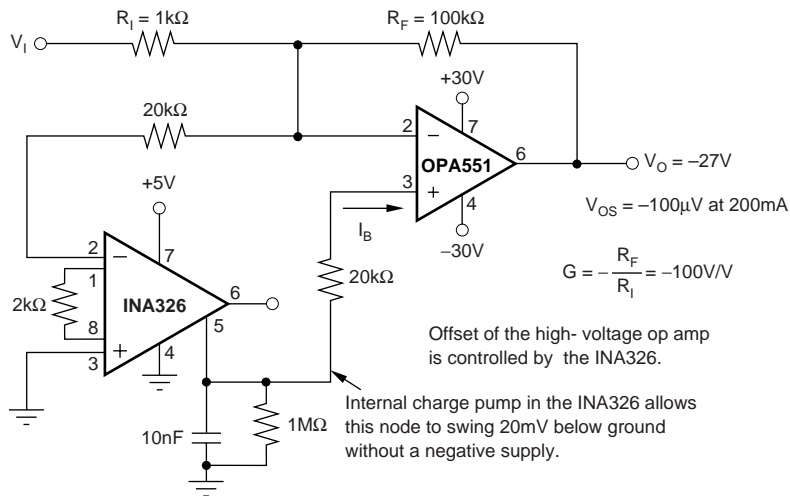


FIGURE 16. Programmable ±5mA Current Source.



NOTES: (1) The OPA551 is a 60V op amp. (2) The INA326 does not require a negative supply to correct for negative  $V_{OS}$  values from the high-voltage op amp. (3) Voltage offset contribution of  $I_B$  (OPA551) is  $100pA \cdot 2k\Omega = 0.2\mu V$ .

FIGURE 17. ±27V Output at 200mA Amplifier with 100μV Offset.



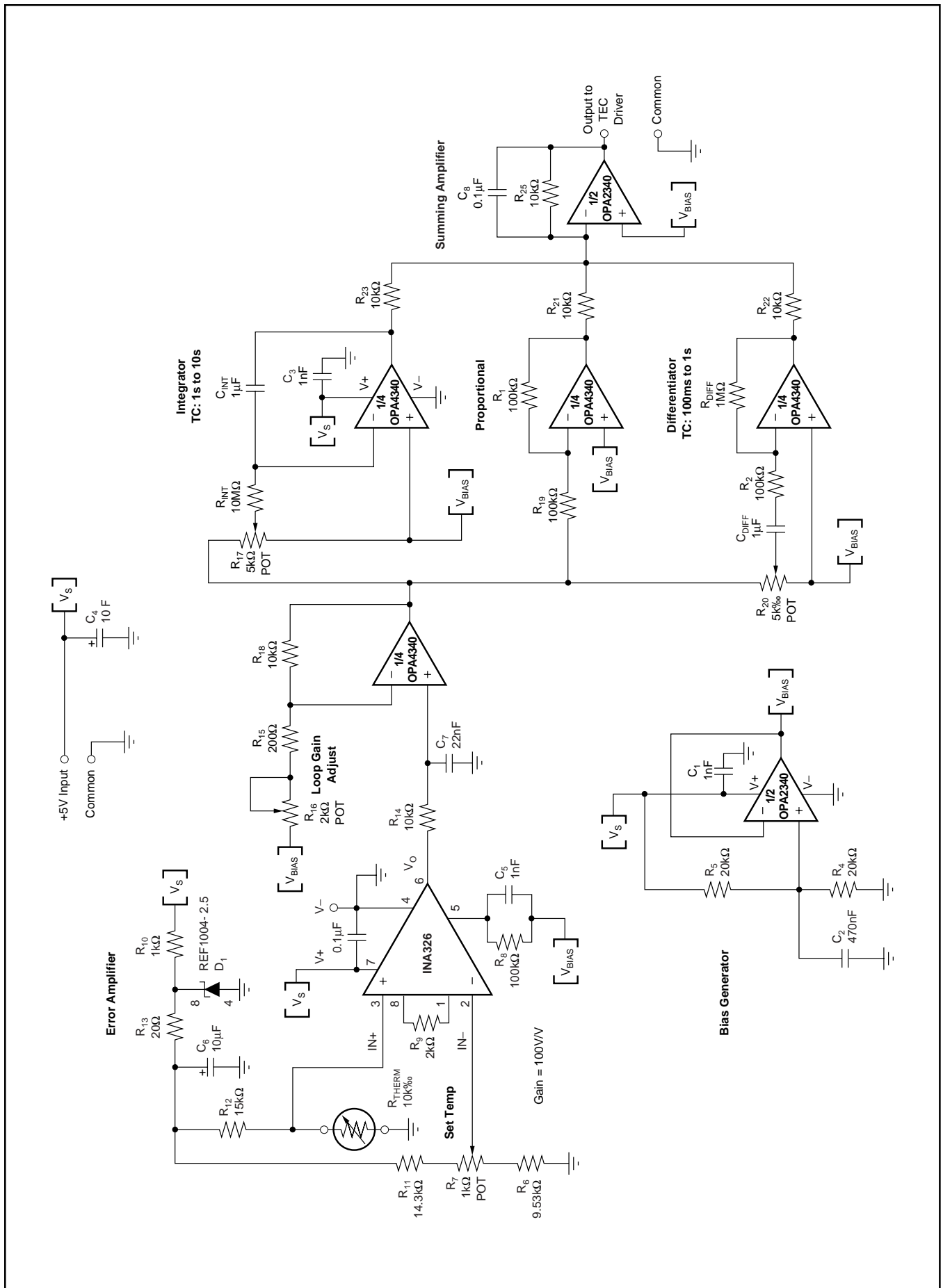


FIGURE 18. Single-Supply PID Temperature Control Loop.

**PACKAGING INFORMATION**

Orderable Device	Status <sup>(1)</sup>	Package Type	Package Drawing	Pins	Package Qty	Eco Plan <sup>(2)</sup>	Lead/ Ball Finish	MSL Peak Temp <sup>(3)</sup>	Samples (Requires Login)
INA326EA/250	ACTIVE	MSOP	DGK	8	250	Green (RoHS & no Sb/Br)	CU NIPDAUAG	Level-2-260C-1 YEAR	
INA326EA/250G4	ACTIVE	MSOP	DGK	8	250	Green (RoHS & no Sb/Br)	CU NIPDAUAG	Level-2-260C-1 YEAR	
INA326EA/2K5	ACTIVE	MSOP	DGK	8	2500	Green (RoHS & no Sb/Br)	CU NIPDAUAG	Level-2-260C-1 YEAR	
INA326EA/2K5G4	ACTIVE	MSOP	DGK	8	2500	Green (RoHS & no Sb/Br)	CU NIPDAUAG	Level-2-260C-1 YEAR	
INA327EA/250	ACTIVE	MSOP	DGS	10	250	Green (RoHS & no Sb/Br)	CU NIPDAUAG	Level-2-260C-1 YEAR	
INA327EA/250G4	ACTIVE	MSOP	DGS	10	250	Green (RoHS & no Sb/Br)	CU NIPDAUAG	Level-2-260C-1 YEAR	
INA327EA/2K5	ACTIVE	MSOP	DGS	10	2500	Green (RoHS & no Sb/Br)	CU NIPDAUAG	Level-2-260C-1 YEAR	
INA327EA/2K5G4	ACTIVE	MSOP	DGS	10	2500	Green (RoHS & no Sb/Br)	CU NIPDAUAG	Level-2-260C-1 YEAR	

<sup>(1)</sup> The marketing status values are defined as follows:

**ACTIVE:** Product device recommended for new designs.

**LIFEBUY:** TI has announced that the device will be discontinued, and a lifetime-buy period is in effect.

**NRND:** Not recommended for new designs. Device is in production to support existing customers, but TI does not recommend using this part in a new design.

**PREVIEW:** Device has been announced but is not in production. Samples may or may not be available.

**OBSOLETE:** TI has discontinued the production of the device.

<sup>(2)</sup> Eco Plan - The planned eco-friendly classification: Pb-Free (RoHS), Pb-Free (RoHS Exempt), or Green (RoHS & no Sb/Br) - please check <http://www.ti.com/productcontent> for the latest availability information and additional product content details.

**TBD:** The Pb-Free/Green conversion plan has not been defined.

**Pb-Free (RoHS):** TI's terms "Lead-Free" or "Pb-Free" mean semiconductor products that are compatible with the current RoHS requirements for all 6 substances, including the requirement that lead not exceed 0.1% by weight in homogeneous materials. Where designed to be soldered at high temperatures, TI Pb-Free products are suitable for use in specified lead-free processes.

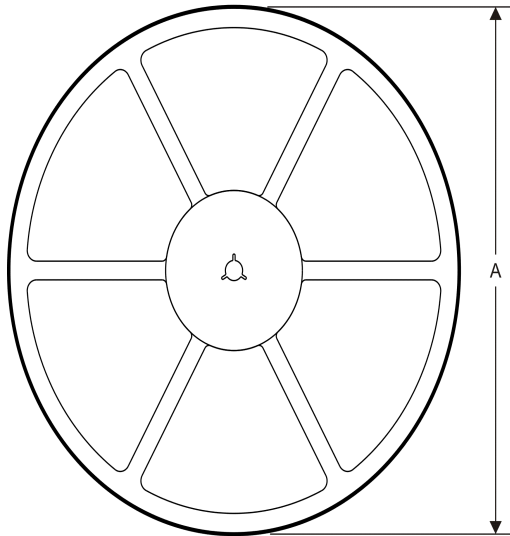
**Pb-Free (RoHS Exempt):** This component has a RoHS exemption for either 1) lead-based flip-chip solder bumps used between the die and package, or 2) lead-based die adhesive used between the die and leadframe. The component is otherwise considered Pb-Free (RoHS compatible) as defined above.

**Green (RoHS & no Sb/Br):** TI defines "Green" to mean Pb-Free (RoHS compatible), and free of Bromine (Br) and Antimony (Sb) based flame retardants (Br or Sb do not exceed 0.1% by weight in homogeneous material)

<sup>(3)</sup> MSL, Peak Temp. -- The Moisture Sensitivity Level rating according to the JEDEC industry standard classifications, and peak solder temperature.

**Important Information and Disclaimer:** The information provided on this page represents TI's knowledge and belief as of the date that it is provided. TI bases its knowledge and belief on information provided by third parties, and makes no representation or warranty as to the accuracy of such information. Efforts are underway to better integrate information from third parties. TI has taken and continues to take reasonable steps to provide representative and accurate information but may not have conducted destructive testing or chemical analysis on incoming materials and chemicals. TI and TI suppliers consider certain information to be proprietary, and thus CAS numbers and other limited information may not be available for release.

In no event shall TI's liability arising out of such information exceed the total purchase price of the TI part(s) at issue in this document sold by TI to Customer on an annual basis.

**TAPE AND REEL INFORMATION**
**REEL DIMENSIONS**

**TAPE DIMENSIONS**


A0	Dimension designed to accommodate the component width
B0	Dimension designed to accommodate the component length
K0	Dimension designed to accommodate the component thickness
W	Overall width of the carrier tape
P1	Pitch between successive cavity centers

**TAPE AND REEL INFORMATION**

\*All dimensions are nominal

Device	Package Type	Package Drawing	Pins	SPQ	Reel Diameter (mm)	Reel Width W1 (mm)	A0 (mm)	B0 (mm)	K0 (mm)	P1 (mm)	W (mm)	Pin1 Quadrant
INA326EA/250	MSOP	DGK	8	250	330.0	12.4	5.3	3.4	1.4	8.0	12.0	Q1
INA326EA/2K5	MSOP	DGK	8	2500	330.0	12.4	5.3	3.4	1.4	8.0	12.0	Q1
INA327EA/250	MSOP	DGS	10	250	180.0	12.4	5.3	3.4	1.4	8.0	12.0	Q1
INA327EA/2K5	MSOP	DGS	10	2500	330.0	12.4	5.3	3.4	1.4	8.0	12.0	Q1

## TAPE AND REEL BOX DIMENSIONS



\*All dimensions are nominal

Device	Package Type	Package Drawing	Pins	SPQ	Length (mm)	Width (mm)	Height (mm)
INA326EA/250	MSOP	DGK	8	250	366.0	364.0	50.0
INA326EA/2K5	MSOP	DGK	8	2500	366.0	364.0	50.0
INA327EA/250	MSOP	DGS	10	250	210.0	185.0	35.0
INA327EA/2K5	MSOP	DGS	10	2500	346.0	346.0	29.0

DGK (S-PDSO-G8)

PLASTIC SMALL-OUTLINE PACKAGE



- NOTES:
- A. All linear dimensions are in millimeters.
  - B. This drawing is subject to change without notice.
  - C. Body length does not include mold flash, protrusions, or gate burrs. Mold flash, protrusions, or gate burrs shall not exceed 0.15 per end.
  - D. Body width does not include interlead flash. Interlead flash shall not exceed 0.50 per side.
  - E. Falls within JEDEC MO-187 variation AA, except interlead flash.

DGS (S-PDSO-G10)

PLASTIC SMALL-OUTLINE PACKAGE



- NOTES:
- A. All linear dimensions are in millimeters.
  - B. This drawing is subject to change without notice.
  - C. Body dimensions do not include mold flash or protrusion.
  - D. Falls within JEDEC MO-187 variation BA.

## IMPORTANT NOTICE

Texas Instruments Incorporated and its subsidiaries (TI) reserve the right to make corrections, modifications, enhancements, improvements, and other changes to its products and services at any time and to discontinue any product or service without notice. Customers should obtain the latest relevant information before placing orders and should verify that such information is current and complete. All products are sold subject to TI's terms and conditions of sale supplied at the time of order acknowledgment.

TI warrants performance of its hardware products to the specifications applicable at the time of sale in accordance with TI's standard warranty. Testing and other quality control techniques are used to the extent TI deems necessary to support this warranty. Except where mandated by government requirements, testing of all parameters of each product is not necessarily performed.

TI assumes no liability for applications assistance or customer product design. Customers are responsible for their products and applications using TI components. To minimize the risks associated with customer products and applications, customers should provide adequate design and operating safeguards.

TI does not warrant or represent that any license, either express or implied, is granted under any TI patent right, copyright, mask work right, or other TI intellectual property right relating to any combination, machine, or process in which TI products or services are used. Information published by TI regarding third-party products or services does not constitute a license from TI to use such products or services or a warranty or endorsement thereof. Use of such information may require a license from a third party under the patents or other intellectual property of the third party, or a license from TI under the patents or other intellectual property of TI.

Reproduction of TI information in TI data books or data sheets is permissible only if reproduction is without alteration and is accompanied by all associated warranties, conditions, limitations, and notices. Reproduction of this information with alteration is an unfair and deceptive business practice. TI is not responsible or liable for such altered documentation. Information of third parties may be subject to additional restrictions.

Resale of TI products or services with statements different from or beyond the parameters stated by TI for that product or service voids all express and any implied warranties for the associated TI product or service and is an unfair and deceptive business practice. TI is not responsible or liable for any such statements.

TI products are not authorized for use in safety-critical applications (such as life support) where a failure of the TI product would reasonably be expected to cause severe personal injury or death, unless officers of the parties have executed an agreement specifically governing such use. Buyers represent that they have all necessary expertise in the safety and regulatory ramifications of their applications, and acknowledge and agree that they are solely responsible for all legal, regulatory and safety-related requirements concerning their products and any use of TI products in such safety-critical applications, notwithstanding any applications-related information or support that may be provided by TI. Further, Buyers must fully indemnify TI and its representatives against any damages arising out of the use of TI products in such safety-critical applications.

TI products are neither designed nor intended for use in military/aerospace applications or environments unless the TI products are specifically designated by TI as military-grade or "enhanced plastic." Only products designated by TI as military-grade meet military specifications. Buyers acknowledge and agree that any such use of TI products which TI has not designated as military-grade is solely at the Buyer's risk, and that they are solely responsible for compliance with all legal and regulatory requirements in connection with such use.

TI products are neither designed nor intended for use in automotive applications or environments unless the specific TI products are designated by TI as compliant with ISO/TS 16949 requirements. Buyers acknowledge and agree that, if they use any non-designated products in automotive applications, TI will not be responsible for any failure to meet such requirements.

Following are URLs where you can obtain information on other Texas Instruments products and application solutions:

### Products

Audio	<a href="http://www.ti.com/audio">www.ti.com/audio</a>
Amplifiers	<a href="http://amplifier.ti.com">amplifier.ti.com</a>
Data Converters	<a href="http://dataconverter.ti.com">dataconverter.ti.com</a>
DLP® Products	<a href="http://www.dlp.com">www.dlp.com</a>
DSP	<a href="http://dsp.ti.com">dsp.ti.com</a>
Clocks and Timers	<a href="http://www.ti.com/clocks">www.ti.com/clocks</a>
Interface	<a href="http://interface.ti.com">interface.ti.com</a>
Logic	<a href="http://logic.ti.com">logic.ti.com</a>
Power Mgmt	<a href="http://power.ti.com">power.ti.com</a>
Microcontrollers	<a href="http://microcontroller.ti.com">microcontroller.ti.com</a>
RFID	<a href="http://www.ti-rfid.com">www.ti-rfid.com</a>
OMAP Mobile Processors	<a href="http://www.ti.com/omap">www.ti.com/omap</a>
Wireless Connectivity	<a href="http://www.ti.com/wirelessconnectivity">www.ti.com/wirelessconnectivity</a>

### Applications

Communications and Telecom	<a href="http://www.ti.com/communications">www.ti.com/communications</a>
Computers and Peripherals	<a href="http://www.ti.com/computers">www.ti.com/computers</a>
Consumer Electronics	<a href="http://www.ti.com/consumer-apps">www.ti.com/consumer-apps</a>
Energy and Lighting	<a href="http://www.ti.com/energy">www.ti.com/energy</a>
Industrial	<a href="http://www.ti.com/industrial">www.ti.com/industrial</a>
Medical	<a href="http://www.ti.com/medical">www.ti.com/medical</a>
Security	<a href="http://www.ti.com/security">www.ti.com/security</a>
Space, Avionics and Defense	<a href="http://www.ti.com/space-avionics-defense">www.ti.com/space-avionics-defense</a>
Transportation and Automotive	<a href="http://www.ti.com/automotive">www.ti.com/automotive</a>
Video and Imaging	<a href="http://www.ti.com/video">www.ti.com/video</a>

TI E2E Community Home Page

[e2e.ti.com](http://e2e.ti.com)

Mailing Address: Texas Instruments, Post Office Box 655303, Dallas, Texas 75265  
Copyright © 2011, Texas Instruments Incorporated