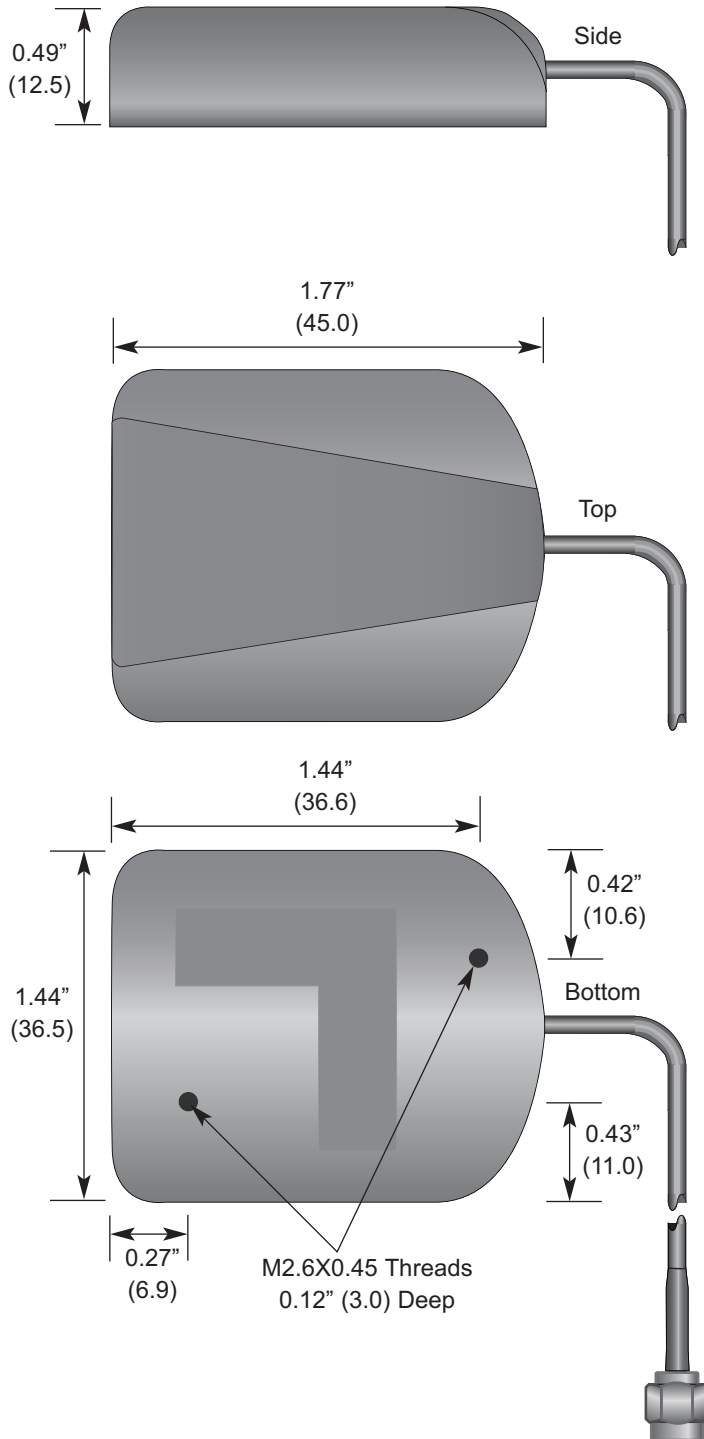


### Product Dimensions



### Description

The SH Series is the flagship of the Antenna Factor GPS line. These high-performance GPS antennas combine superior performance, advanced operational and protection features, and low power consumption. This makes them ideal for telematics, fleet management, navigation, tracking, and other applications that require a compact, high-performance GPS antenna. For maximum compatibility with the host receiver, the SH accepts supply voltages from +2.5VDC to +12VDC and is protected against shorts, over current, or reverse polarity situations. The antennas attach via an SMA, MCX, MMCX, or customer-specified connector.



### Features

- Compact
- High-gain, low-noise design
- Low current consumption
- Wide operating voltage
- Protection circuit
- Wide operating temperature
- Fully weatherized
- Waterproof
- Rugged & damage-resistant
- Magnetic mount

### Electrical Specifications

- Center Freq. 1575.42MHz
- Bandwidth 10MHz @ -3dB point
- Impedance 50 ohms
- VSWR 1.5 typ.
- Ant. Gain 5.0dB min.
- Axial Ratio 1.0dB typ.
- Elev. Angle Cov. 5~90 degrees
- Az. Bearing Cov. 360 degrees
- Polarization RHCP
- System Gain 28dB (typ. includes 4dB cable & filter loss)
- Noise Figure <1.8dB @ fo, 2dB max.
- Input Voltage +2.5VDC to +12VDC (Autoswitch)
- Current 5-10mA typ. @ 5V (11-13mA max. @ 12V)
- Operating Temp. -30°C to +85°C
- Mounting Magnetic and/or screw
- Cable RG-174U (Low-Loss, 0.7dB/m)
- Cable Length 117" +/-6" (3m)
- Connector SMA, MCX, MMCX, other by special order
- Weight 3.32oz (94g)

### Ordering Information

- ANT-GPS-SH-SMA (with SMA connector)
- ANT-GPS-SH-MCX (with MCX connector)
- ANT-GPS-SH-MMX (with MMCX connector)