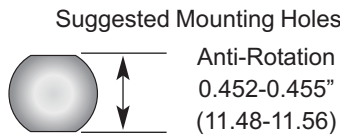
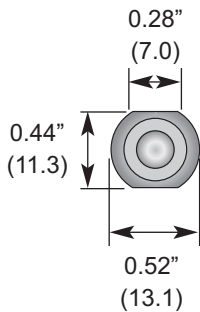
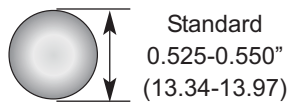
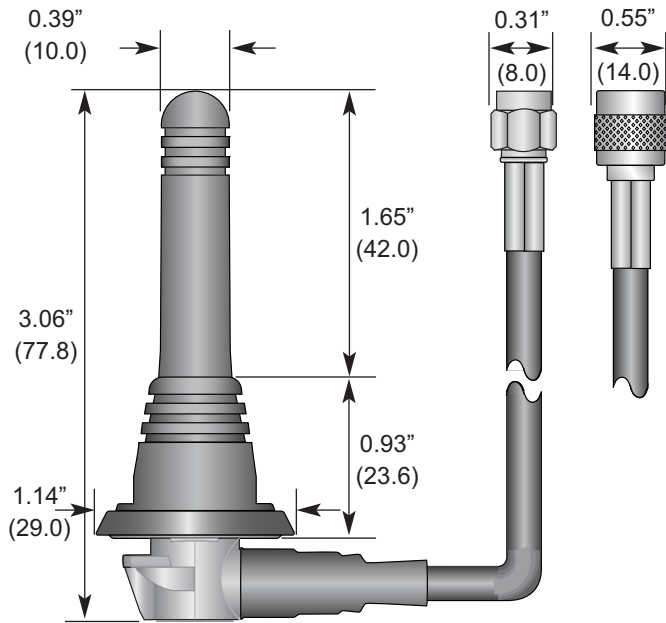


Product Dimensions



Description



Designed for permanent mounting through a metal surface such as an automobile roof or trunk, the compact RMS Series offers excellent performance in a durable and unobtrusive housing. The antenna may be operated at either or both of two frequency bands. It is supplied with 14.1 feet (4.3m) of RG-58 cable and can be terminated in a standard SMA, Part 15 compliant RP-SMA or a TNC connector.

Features

- Dual-band (824-960MHz and 1.71-1.99GHz)
- Compact & unobtrusive
- Through-hole mount
- Low VSWR
- Excellent performance
- Omni-directional pattern
- Fully weatherized
- Rugged & damage-resistant
- SMA, RP-SMA or TNC connector

Electrical Specifications

- | | |
|----------------------|----------------------------|
| • Recmd. Oper. Freq. | Band 1 824-960MHz |
| | Band 2 1.71-1.99GHz |
| • Wavelength | 1/4-wave |
| • VSWR | Band 1 ≤1.5 typ. at center |
| | Band 2 ≤2.0 typ. at center |
| • Impedance | 50 ohms |
| • Connector | SMA, RP-SMA or TNC |
| • Cable | 14.1' RG-58 coax |

Ordering Information

- ANT-DB1-RMS-SMA (with SMA connector)
- ANT-DB1-RMS-RPS (with RP-SMA connector)
- ANT-DB1-RMS-TNC (with TNC connector)

VSWR Graph

