



Specification

SPECIFICATION

Part No. : **GP.1575.25.4.A.02**

Specification No : **GP.25A**

Product Name : **4mm thick GPS Patch Antenna, 1575MHz (DA1574N)**

Features : 25mm*25mm*4mm
ROHS Compliant

:



REVISION STATUS

Version	Date	Page	Revision Description	Prepared	Approved
01	Jan 03 rd 2007	All	New format	TW Product Centre	Ronan Quinlan



Specification

1.0 Introduction

This miniaturized ceramic GPS patch antenna is based on smart **XtremeGain™** technology. It is mounted via pin and double-sided adhesive and has been selected as optimal solution for the customer device environment.

2.0 Key Antenna Performance Indicators

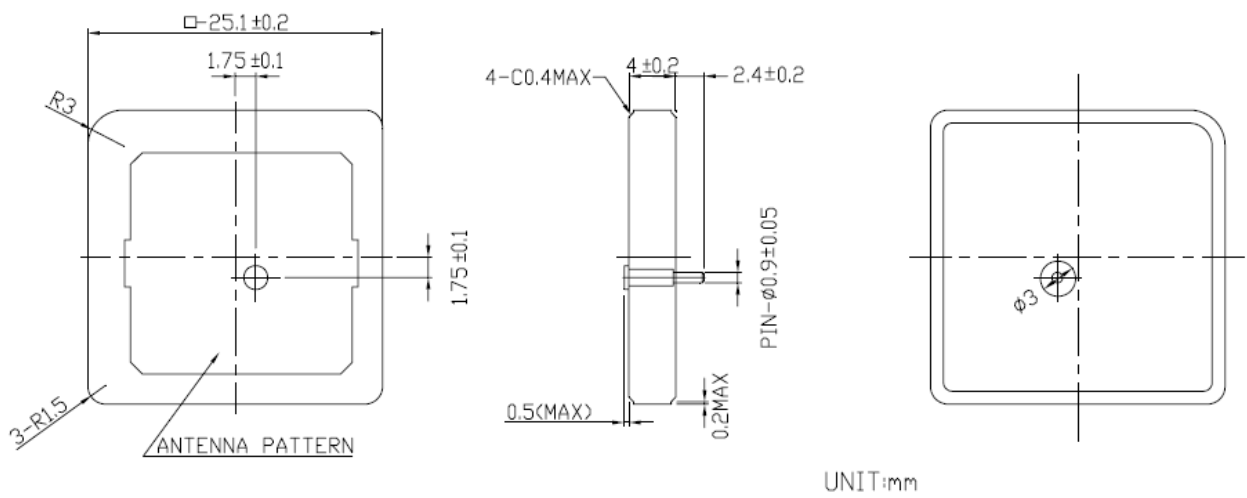
Original Patch Specification tested on 50mm² ground plane

No	Parameter	Specification	Notes
1	Range of Receiving Frequency	1575.42 MHz ± 1.023 MHz	
2	Center Frequency	1575.42 ± 3MHz	With 50mm ² ground plane
3	Bandwidth	10 MHz min	Return Loss ≤ -10 dB
4	VSWR	1.5 max	Center Frequency
5	Gain at Zenith	+3.5 dBic typ.	
6	Gain at 10° elevation	--	
7	Axial Ratio	3 dB max	
8	Polarization	RHCP	
9	Impedance	50 Ohms	
10	Frequency Temperature Coefficient (Tf)	0 ± 20ppm / °C	-40°C to +85°C
11	Operating Temperature	-40°C to +85°C	

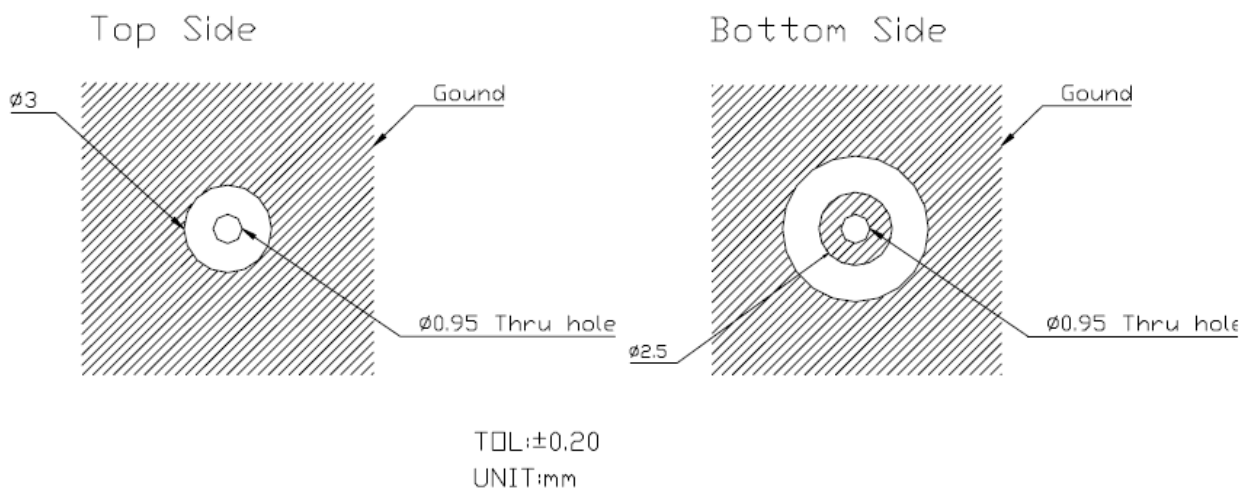


3.0 Mechanical Specifications

3.1 Shape and Dimension

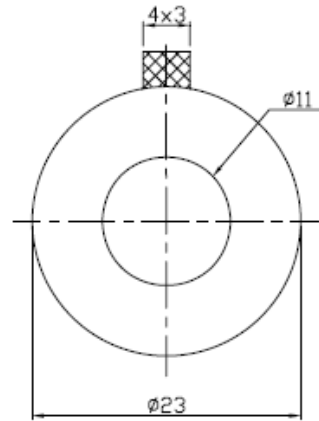


3.2 Layout





Tape Dimension

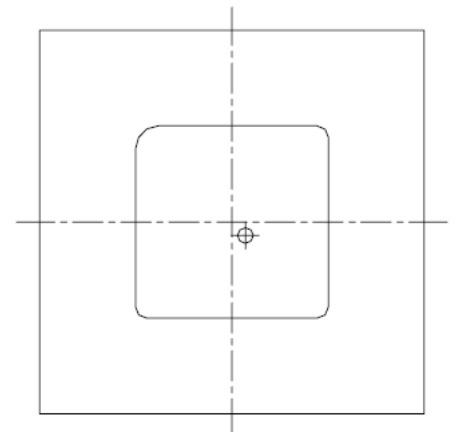
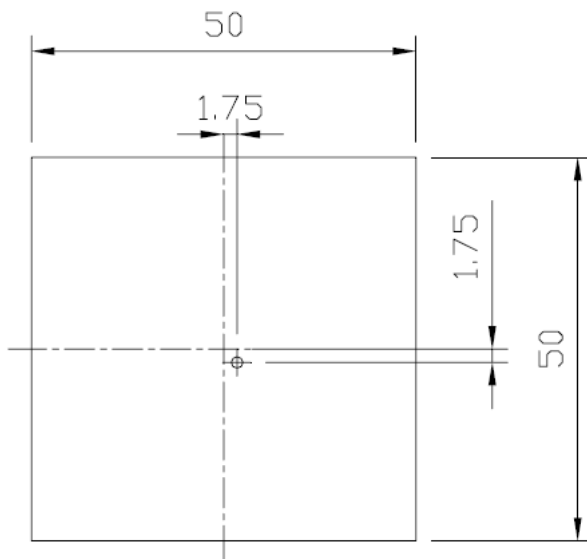


1.NITTO : NO.5015

2.Double-coated adhesive tape for industrial use

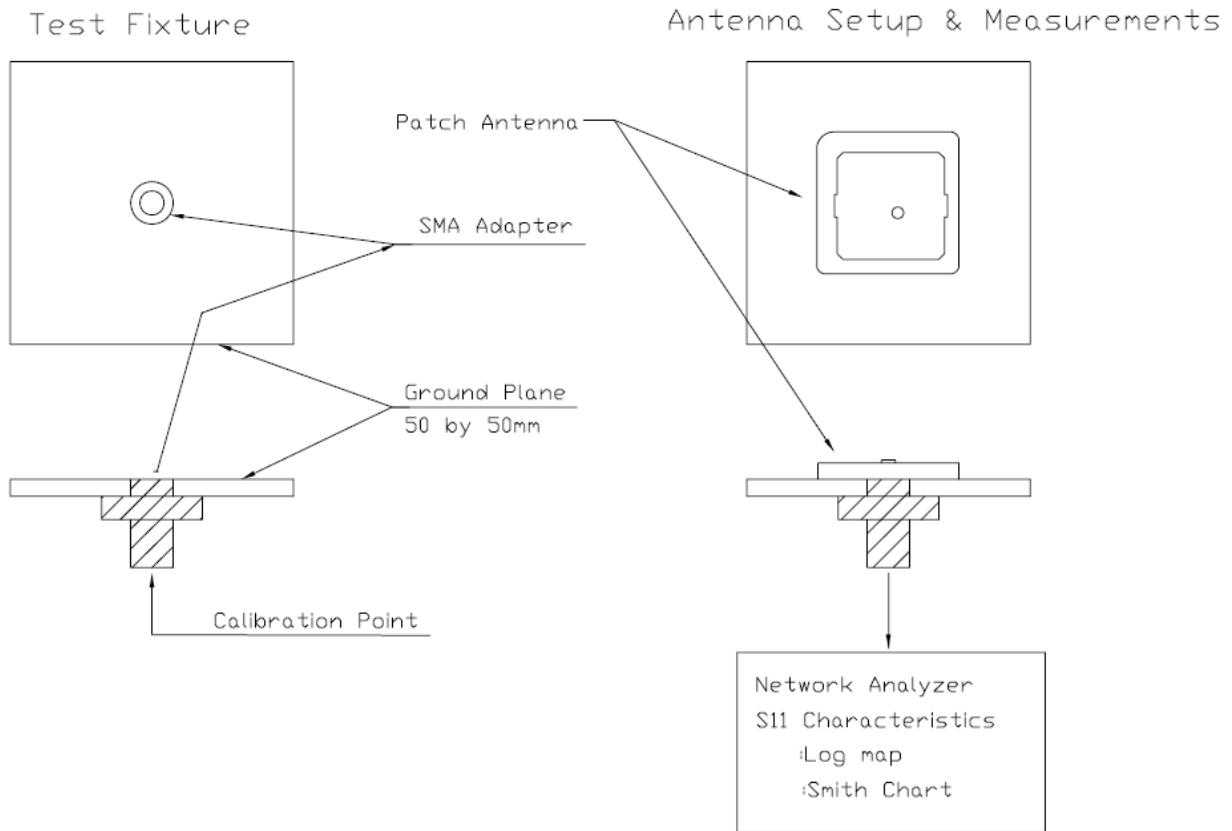
3.Thickness : 0.12mm

3.3 Test Jig and Dimension





3.4 Test Fixture Antenna Setup and Measurements





Specification

4.0 Performance testing and results

