

# DAC1403D160

Dual 14 bits DAC, up to 160 MHz, 2 x interpolating

Rev. 02 — 14 August 2008

Product data sheet

## 1. General description

---

The DAC1403D160 is optimized to reduce architecture complexity and overall system cost. It leads to dynamic performance in multi-carrier support, because of its direct IF conversion capabilities. With an internal sampling rate of up to 160 MHz, DAC1403D160 is an extremely competitive solution for broadband wireless systems transmitters, as well as a wide range of applications.

## 2. Features

---

- Dual 14-bit resolution
- Spurious-Free Dynamic Range (SFDR) = 80 dBc at 2.5 MHz
- Input data rate up to 80 MHz
- 2 × interpolation filter
- Output data rate up to 160 MHz
- Single 3.3 V power supply
- Low noise capacitor-free integrated Phase-Locked Loop (PLL)
- Low power dissipation
- HTQFP80 package
- Ambient temperature from -40 °C to +85 °C

## 3. Applications

---

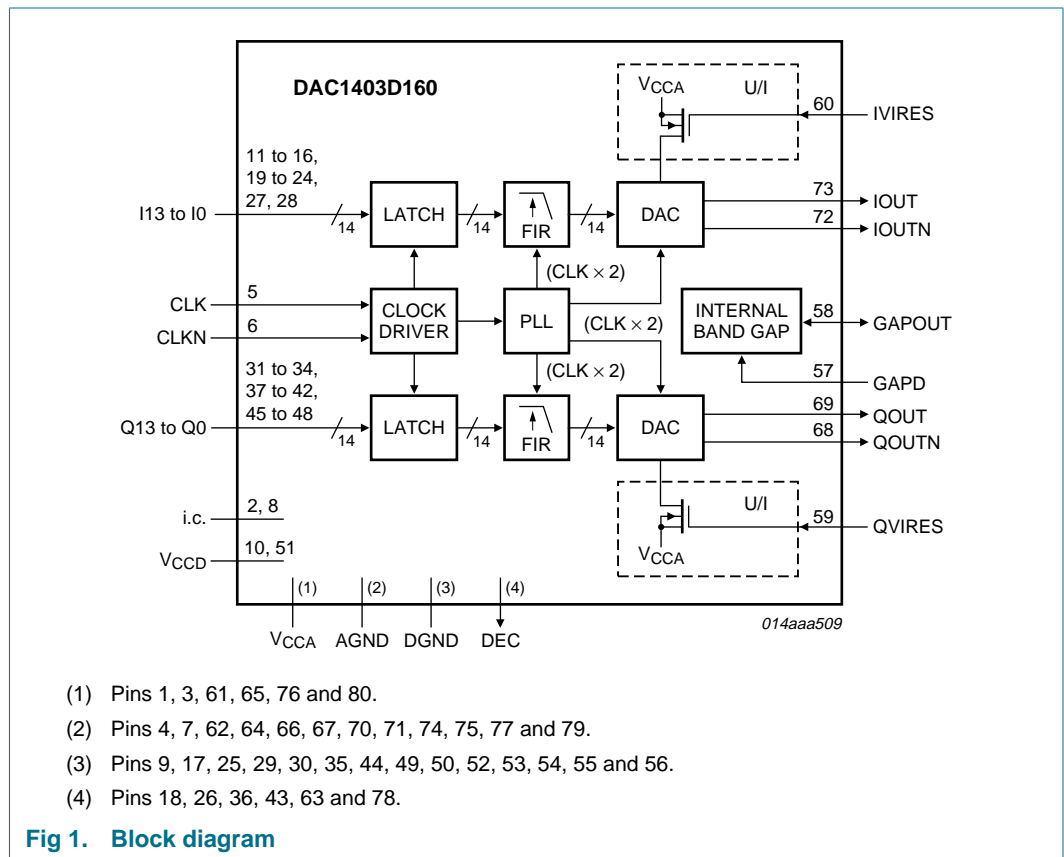
- Broadband wireless systems
- Digital radio links
- Cellular base stations
- Instrumentation
- Cable modem
- Cable Modem Termination System (CMTS)/Data Over Cable Service Interface Specification (DOCSIS)

### 4. Ordering information

Table 1. Ordering information

Type number	Package		Version
	Name	Description	
DAC1403D160HW	HTQFP80	plastic thermal enhanced thin quad flat package; 80 leads; body 12 × 12 × 1 mm; exposed die pad	SOT841-1

### 5. Block diagram



## 6. Pinning information

### 6.1 Pinning

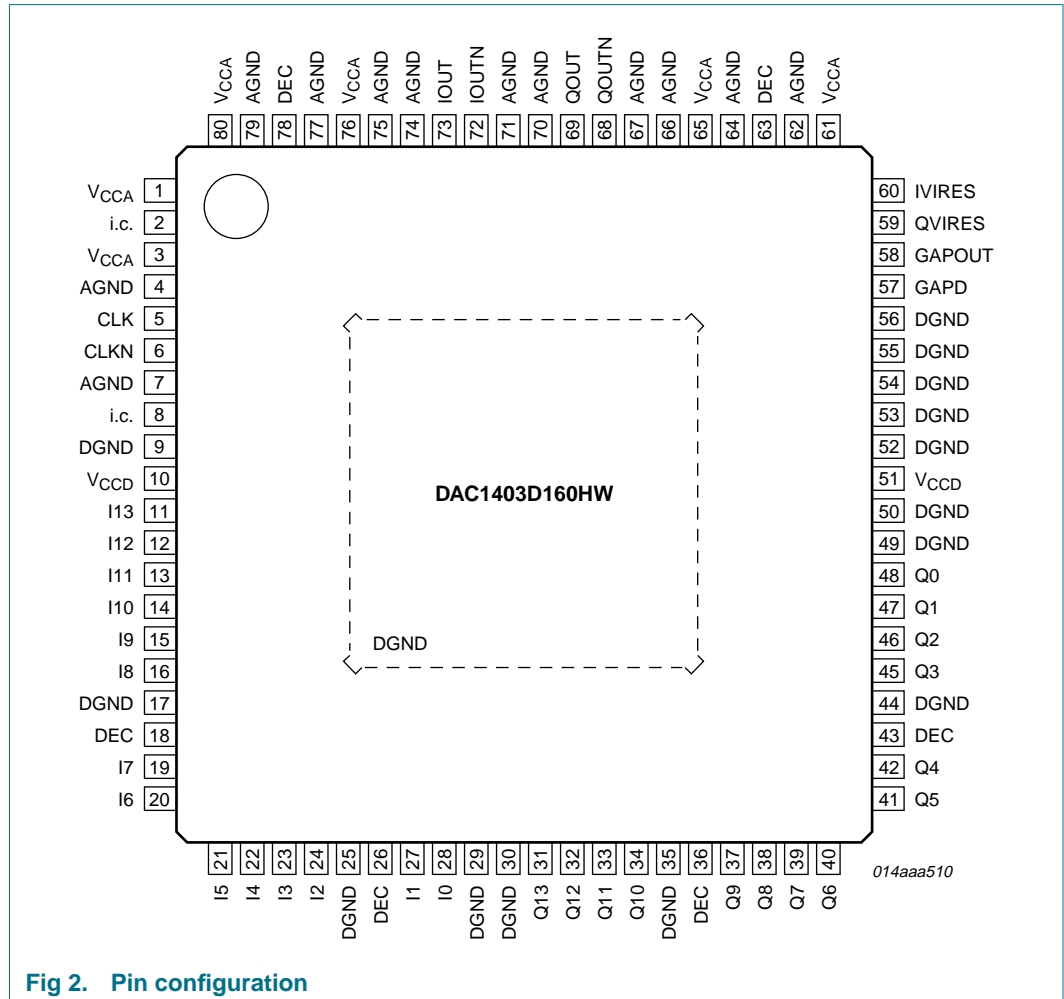


Fig 2. Pin configuration

### 6.2 Pin description

Table 2. Pin description

Symbol	Pin	Type <sup>[1]</sup>	Description
V <sub>CCA</sub>	1	S	analog supply voltage
i.c.	2	I/O	internally connected; leave open
V <sub>CCA</sub>	3	S	analog supply voltage
AGND	4	G	analog ground
CLK	5	I	clock input
CLKN	6	I	complementary clock input
AGND	7	G	analog ground
i.c.	8	O	internally connected; leave open
DGND	9	G	digital ground

Table 2. Pin description ...continued

Symbol	Pin	Type <sup>[1]</sup>	Description
V <sub>CCD</sub>	10	S	digital supply voltage
I13	11	I	I data input bit 13 (Most Significant Bit (MSB))
I12	12	I	I data input bit 12
I11	13	I	I data input bit 11
I10	14	I	I data input bit 10
I9	15	I	I data input bit 9
I8	16	I	I data input bit 8
DGND	17	G	digital ground
DEC	18	O	decoupling node
I7	19	I	I data input bit 7
I6	20	I	I data input bit 6
I5	21	I	I data input bit 5
I4	22	I	I data input bit 4
I3	23	I	I data input bit 3
I2	24	I	I data input bit 2
DGND	25	G	digital ground
DEC	26	O	decoupling node
I1	27	I	I data input bit 1
I0	28	I	I data input bit 0 (Least Significant Bit (LSB))
DGND	29	G	digital ground
DGND	30	G	digital ground
Q13	31	I	Q data input bit 13 (MSB)
Q12	32	I	Q data input bit 12
Q11	33	I	Q data input bit 11
Q10	34	I	Q data input bit 10
DGND	35	G	digital ground
DEC	36	O	decoupling node
Q9	37	I	Q data input bit 9
Q8	38	I	Q data input bit 8
Q7	39	I	Q data input bit 7
Q6	40	I	Q data input bit 6
Q5	41	I	Q data input bit 5
Q4	42	I	Q data input bit 4
DEC	43	O	decoupling node
DGND	44	G	digital ground
Q3	45	I	Q data input bit 3
Q2	46	I	Q data input bit 2
Q1	47	I	Q data input bit 1
Q0	48	I	Q data input bit 0 (LSB)
DGND	49	G	digital ground
DGND	50	G	digital ground

Table 2. Pin description ...continued

Symbol	Pin	Type <sup>[1]</sup>	Description
V <sub>CCD</sub>	51	S	digital supply voltage
DGND	52	G	digital ground
DGND	53	G	digital ground
DGND	54	G	digital ground
DGND	55	G	digital ground
DGND	56	G	digital ground
GAPD	57	I	internal band gap power disable input
GAPOUT	58	I/O	band gap output voltage
QVIRES	59	I	Q DAC biasing resistor
IVIRES	60	I	I DAC biasing resistor
V <sub>CCA</sub>	61	S	analog supply voltage
AGND	62	G	analog ground
DEC	63	O	decoupling node
AGND	64	G	analog ground
V <sub>CCA</sub>	65	S	analog supply voltage
AGND	66	G	analog ground
AGND	67	G	analog ground
QOUTN	68	O	complementary Q DAC output current
QOUT	69	O	Q DAC output current
AGND	70	G	analog ground
AGND	71	G	analog ground
IOUTN	72	O	complementary I DAC output current
IOUT	73	O	I DAC output current
AGND	74	G	analog ground
AGND	75	G	analog ground
V <sub>CCA</sub>	76	S	analog supply voltage
AGND	77	G	analog ground
DEC	78	O	decoupling node
AGND	79	G	analog ground
V <sub>CCA</sub>	80	S	analog supply voltage

[1] Type description: S: Supply; G: Ground; I: Input; O: Output.

## 7. Functional description

The Digital-to-Analog Converter (DAC) is a segmented architecture composed of a 7-bit thermometer sub-DAC and the remaining 7-bit in a binary weighted sub-DAC.

The device produces two complementary current outputs on both channels, respectively pins IOUT/IOUTN and QOUT/QOUTN which need to be connected via a load resistor to the ground.

[Figure 3](#) shows the equivalent analog output circuit of one DAC, which consists of a parallel combination of PMOS current sources and associated switches for each segment.

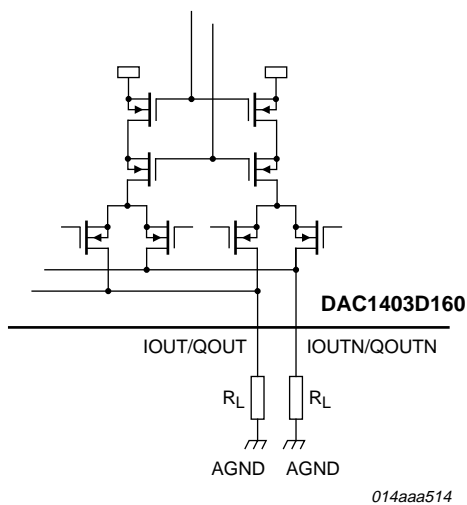
The cascade source configuration enables the increasing of the output impedance of the source and set to improve the dynamic performance of the DAC by introducing less distortion.

[Figure 4](#) shows the internal reference configuration. In this case the bias current is given by the output of the internal regulator connected to the inverting input of the internal operational amplifiers, while external resistors  $R_I$  and  $R_Q$  are connected respectively to pins IVIRES and QVIRES. Thus the output current of the two DACs is typically fixed to 20 mA with an appropriate choice of these resistors. This configuration is optimal for temperature drift compensation because the band gap can be matched with the voltage on the feedback resistors.

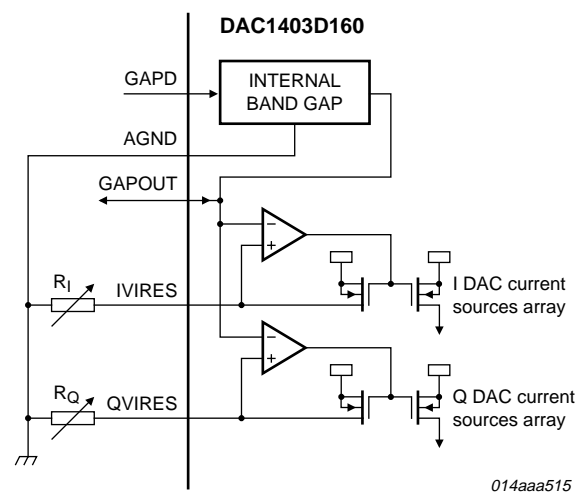
The relation between full-scale output current  $I_{O(fs)}$  and the  $R_I$  ( $R_Q$ ) is:

$$R_I = \frac{2048 \times V_{GAPOUT}}{82 \times I_{O(fs)}} \Omega$$

The output current can also be adjusted by imposing an external reference voltage to the inverting input pin GAPOUT and disabling the internal band gap with pin GAPD set to HIGH. At a voltage lower than 1.2 V the current can be set at values lower than 20 mA. The input references at pins IVIRES and QVIRES may also be driven by separate reference voltages to adjust independently the two DAC currents.



**Fig 3. Equivalent analog output circuit**



**Fig 4. Internal reference configuration**

## 8. Limiting values

**Table 3. Limiting values**

*In accordance with the Absolute Maximum Rating System (IEC 60134).*

Symbol	Parameter	Conditions	Min	Max	Unit
$V_{CCD}$	digital supply voltage	[1]	-0.3	+3.9	V
$V_{CCA}$	analog supply voltage	[1]	-0.3	+3.9	V
$\Delta V_{CC}$	supply voltage difference	$V_{CCA} - V_{CCD}$	-150	+150	mV
$V_I$	input voltage	pins Qn and In referenced to DGND	-0.3	$V_{CCD} + 0.3$	V
		pins IVIRES, QVIRES and GAPD referenced to AGND	-0.3	$V_{CCA} + 0.3$	V
		pins CLK and CLKN referenced to AGND	-0.3	$V_{CCA} + 0.3$	V
$V_O$	output voltage	pins IOUT, IOUTN, QOUT and QOUTN referenced to AGND	-0.3	$V_{CCA} + 0.3$	V
$T_{stg}$	storage temperature		-55	+150	°C
$T_{amb}$	ambient temperature		-40	+85	°C
$T_j$	junction temperature		-	125	°C

[1] All supplies are connected together.

## 9. Thermal characteristics

**Table 4. Thermal characteristics**

Symbol	Parameter	Conditions	Typ	Unit
$R_{th(j-a)}$	thermal resistance from junction to ambient	in free air	27.1	K/W
$R_{th(c-a)}$	thermal resistance from case to ambient	in free air	11.8	K/W

## 10. Characteristics

**Table 5. Characteristics**

$V_{CCD} = V_{CCA} = 3.0\text{ V to }3.6\text{ V}$ ; AGND and DGND connected together;  $T_{amb} = -40\text{ }^{\circ}\text{C to }+85\text{ }^{\circ}\text{C}$ ; typical values measured at  $V_{CCD} = V_{CCA} = 3.3\text{ V}$ ,  $I_{O(fs)} = 20\text{ mA}$  and  $T_{amb} = 25\text{ }^{\circ}\text{C}$ ; dynamic parameters measured using output schematic given in [Figure 10](#); unless otherwise specified.

Symbol	Parameter	Conditions	Min	Typ	Max	Unit
<b>Supplies</b>						
$V_{CCD}$	digital supply voltage		3.0	3.3	3.6	V
$V_{CCA}$	analog supply voltage		3.0	3.3	3.6	V
$I_{CCD}$	digital supply current		-	55	65	mA
$I_{CCA}$	analog supply current		-	73	85	mA
$P_{tot}$	total power dissipation	$f_{clk} = 80\text{ MHz}$ ; $f_{IOUT} = f_{QOUT} = 5\text{ MHz}$	-	422	540	mW
<b>Clock inputs (CLK and CLKN)</b>						
$V_{I(cm)}$	common-mode input voltage		-	1.65	-	V
$V_{i(dif)(p-p)}$	peak-to-peak differential input voltage		-	1.0	-	V
<b>Analog outputs (IOUT, IOUTN, QOUT and QOUTN)</b>						
$I_{O(fs)}$	full-scale output current	differential outputs	4	-	20	mA
$R_o$	output resistance		[1] -	150	-	k $\Omega$
$C_o$	output capacitance		[1] -	3	-	pF
<b>Digital inputs (I0 to I13, Q0 to Q13 and GAPD)</b>						
$V_{IL}$	LOW-level input voltage		DGND	-	0.3 $V_{CCD}$	V
$V_{IH}$	HIGH-level input voltage		0.7 $V_{CCD}$	-	$V_{CCD}$	V
$I_{IL}$	LOW-level input current	$V_{IL} = 0.3\text{ }V_{CCD}$	-	5	-	$\mu\text{A}$
$I_{IH}$	HIGH-level input current	$V_{IH} = 0.7\text{ }V_{CCD}$	-	5	-	$\mu\text{A}$
<b>Reference voltage output (GAPOUT)</b>						
$V_{GAPOUT}$	voltage on pin GAPOUT		-	1.31	-	V
$I_{GAPOUT}$	current on pin GAPOUT	external voltage	-	1	-	$\mu\text{A}$
$\Delta V_{GAPOUT}$	voltage variation on pin GAPOUT		-	$\pm 133$	-	ppm/ $^{\circ}\text{C}$
<b>Clock timing inputs (CLK and CLKN)</b>						
$f_{clk}$	clock frequency		-	-	80	MHz
$t_{w(clk)H}$	HIGH clock pulse width		5	-	-	ns
$t_{w(clk)L}$	LOW clock pulse width		5	-	-	ns
<b>Input timing (I0 to I13 and Q0 to Q13); see <a href="#">Figure 5</a></b>						
$t_{h(i)}$	input hold time		1.1	-	3.4	ns
$t_{su(i)}$	input set-up time		-1.5	-	+0.7	ns
<b>Output timing (IOUT, IOUTN, QOUT, QOutN)</b>						
$t_s$	settling time	$t_o = \pm 0.5\text{ LSB}$	[1] -	43	-	ns



**Table 5. Characteristics ...continued**

$V_{CCD} = V_{CCA} = 3.0\text{ V to }3.6\text{ V}$ ; AGND and DGND connected together;  $T_{amb} = -40\text{ }^{\circ}\text{C to }+85\text{ }^{\circ}\text{C}$ ; typical values measured at  $V_{CCD} = V_{CCA} = 3.3\text{ V}$ ,  $I_{O(f_s)} = 20\text{ mA}$  and  $T_{amb} = 25\text{ }^{\circ}\text{C}$ ; dynamic parameters measured using output schematic given in [Figure 10](#); unless otherwise specified.

Symbol	Parameter	Conditions	Min	Typ	Max	Unit
<b>Digital filter specification (FIR); order N = 42; see <a href="#">Figure 6 and 7</a> and <a href="#">Table 7</a></b>						
$f_{data}$	data rate		-	-	80	MHz
$\alpha_{ripple(pb)}$	pass-band ripple	$f_{data}/f_{clk}$ ; 0.005 dB attenuation	-	0.405	-	
$B_p$	power bandwidth	$f_{data}/f_{clk}$ ; 3 dB attenuation	-	0.479	-	
$\alpha_{stpb}$	stop-band attenuation	$f_{data}/f_{clk} = 0.6\text{ to }1$	-	69	-	dB
$t_{d(grp)}$	group delay time		-	11T <sub>CLK</sub>	-	ns
<b>Analog signal processing</b>						
<b>Linearity</b>						
INL	integral non-linearity		-	±2.9	-	LSB
DNL	differential non-linearity		-	±1.5	-	LSB
$I_{n(o)}$	output noise current		-	120	-	pA/√Hz
$E_{offset}$	offset error	relative to full-scale	-	-0.3	-	%
$E_G$	gain error	relative to full-scale	-5.4	-	+5.4	%
$\Delta G_{IQ}$	IQ gain mismatch	between I and Q, relative to full-scale	-	±0.2	-	%
<b>Spurious free dynamic range</b>						
SFDR	spurious free dynamic range	$f_{clk} = 80\text{ MHz}$ ; BW = Nyquist				
		$f_o = 2.5\text{ MHz}$ at 0 dBFS	-	80	-	dBc
		$f_o = 5\text{ MHz}$ at 0 dBFS	-	72	-	dBc
		$f_o = 13\text{ MHz}$ at 0 dBFS	-	64	-	dBc
<b>Harmonics</b>						
$\alpha_{2H}$	second harmonic level	$f_o = 5\text{ MHz}$	-	73	-	dBc
		$f_o = 13\text{ MHz}$	-	65	-	dBc
$\alpha_{3H}$	third harmonic level	$f_o = 5\text{ MHz}$	-	88	-	dBc
		$f_o = 13\text{ MHz}$	-	86	-	dBc
<b>Two-tone intermodulation</b>						
IMD2	second-order intermodulation distortion	$f_{clk} = 80\text{ MHz}$ ; $f_o\ 1 = 10\text{ MHz}$ ; $f_o\ 2 = 12\text{ MHz}$ ; BW = Nyquist	-	65	-	dBc
IMD3	third-order intermodulation distortion	$f_{clk} = 80\text{ MHz}$ ; $f_o\ 1 = 10\text{ MHz}$ ; $f_o\ 2 = 12\text{ MHz}$	-	84	-	dBc
THD	total harmonic distortion	$f_{clk} = 80\text{ MHz}$ ; BW = Nyquist ( $T_{amb} = 25\text{ }^{\circ}\text{C}$ )				
		$f_o = 2.5\text{ MHz}$	-	75	-	dBc
		$f_o = 5\text{ MHz}$	68	71	-	dBc
NSD	noise spectral density	$f_{clk} = 80\text{ MHz}$				
		$f_o = 2.5\text{ MHz}$	-	-155	-	dBm/Hz
		$f_o = 5\text{ MHz}$	-	-155	-	dBm/Hz
		$f_o = 19\text{ MHz}$	-	-153	-	dBm/Hz

**Table 5. Characteristics ...continued**

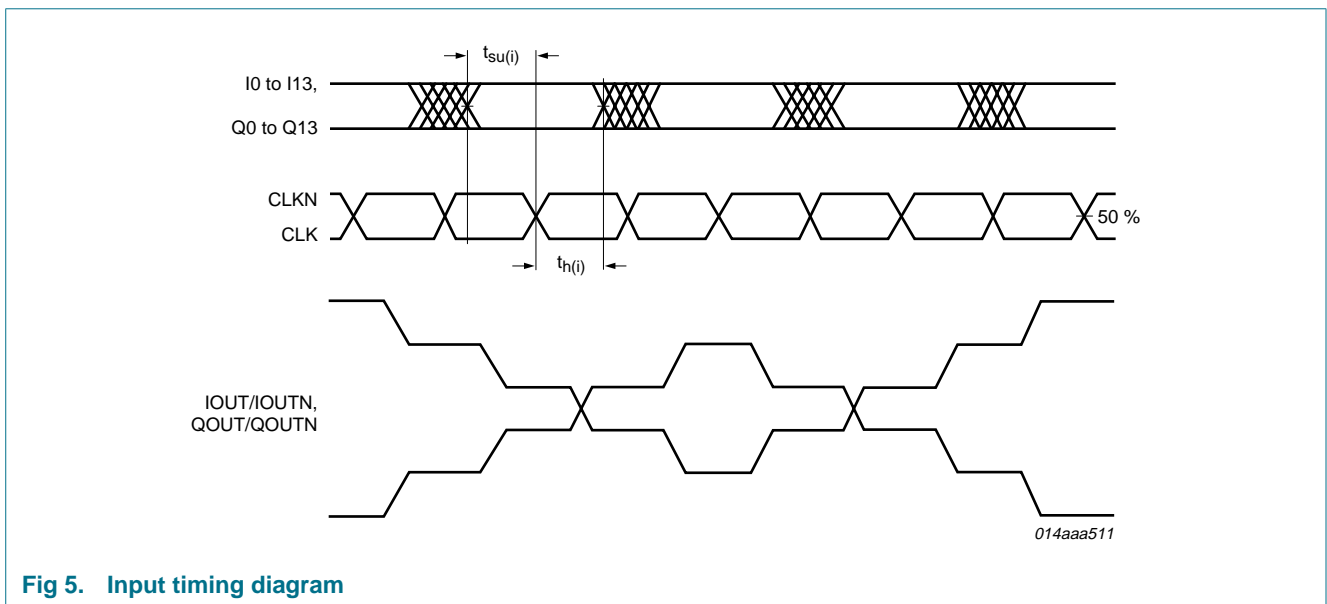
$V_{CCD} = V_{CCA} = 3.0\text{ V to }3.6\text{ V}$ ; AGND and DGND connected together;  $T_{amb} = -40\text{ }^{\circ}\text{C to }+85\text{ }^{\circ}\text{C}$ ; typical values measured at  $V_{CCD} = V_{CCA} = 3.3\text{ V}$ ,  $I_{O(fs)} = 20\text{ mA}$  and  $T_{amb} = 25\text{ }^{\circ}\text{C}$ ; dynamic parameters measured using output schematic given in Figure 10; unless otherwise specified.

Symbol	Parameter	Conditions	Min	Typ	Max	Unit
<b>Signal-to-noise ratio</b>						
S/N	signal-to-noise ratio	$f_{clk} = 80\text{ MHz}$ ; BW = Nyquist				
		$f_o = 2.5\text{ MHz}$	-	80	-	dBc
		$f_o = 5\text{ MHz}$	70	80	-	dBc
		$f_o = 19\text{ MHz}$	-	78	-	dBc
ACPR	adjacent channel power ratio	baseband; 5 MHz channel spacing; BW = 3.84 MHz				
		$f_o = 2.5\text{ MHz}$	-	69	-	dBc
		$f_o = 20\text{ MHz}$	-	71	-	dBc

[1] Guaranteed by design.

**Table 6. Band gap**

Band gap disable (GAPD)	Band gap input/output (GAPOUT)	Internal band gap
LOW	output ( $V_{GAPOUT} = 1.2\text{ V}$ )	enable
HIGH	input	disable



**Fig 5. Input timing diagram**

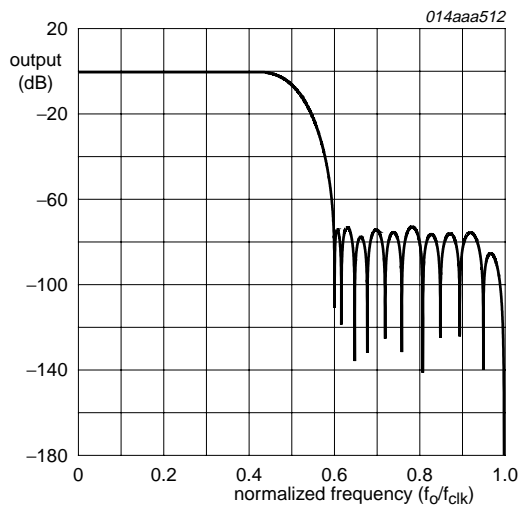


Fig 6. FIR filter frequency response

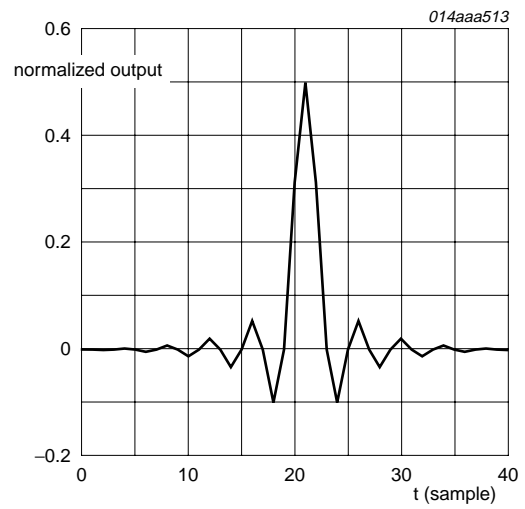
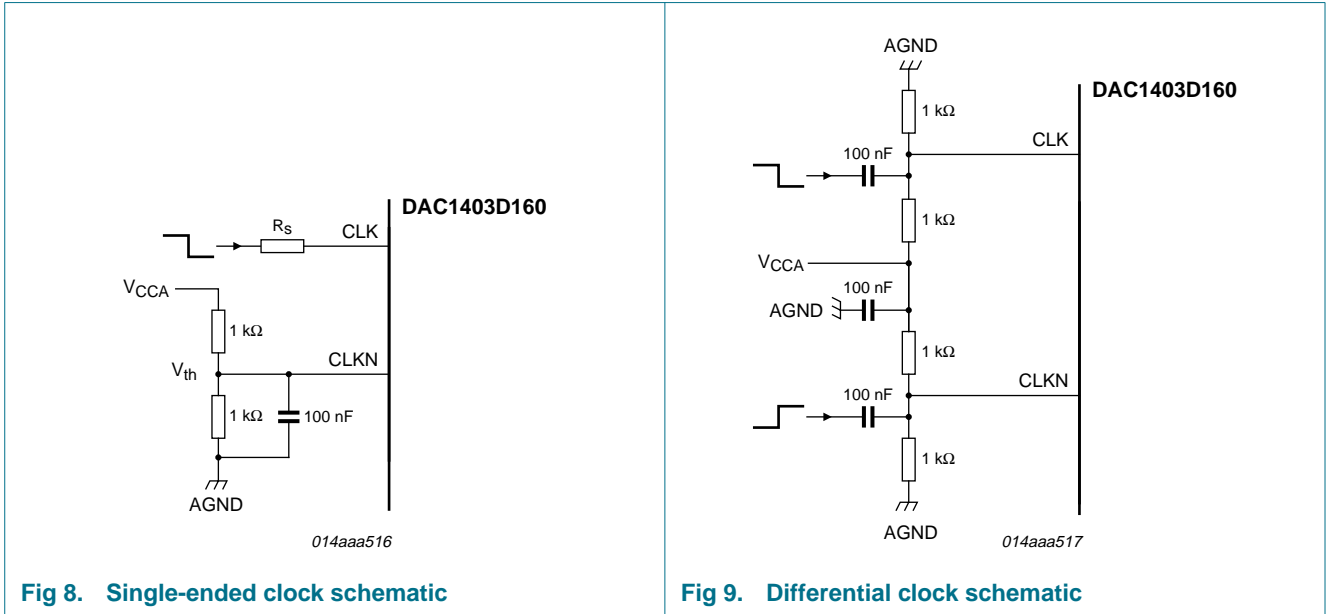


Fig 7. FIR filter impulse response

Table 7. Interpolation FIR filter coefficient

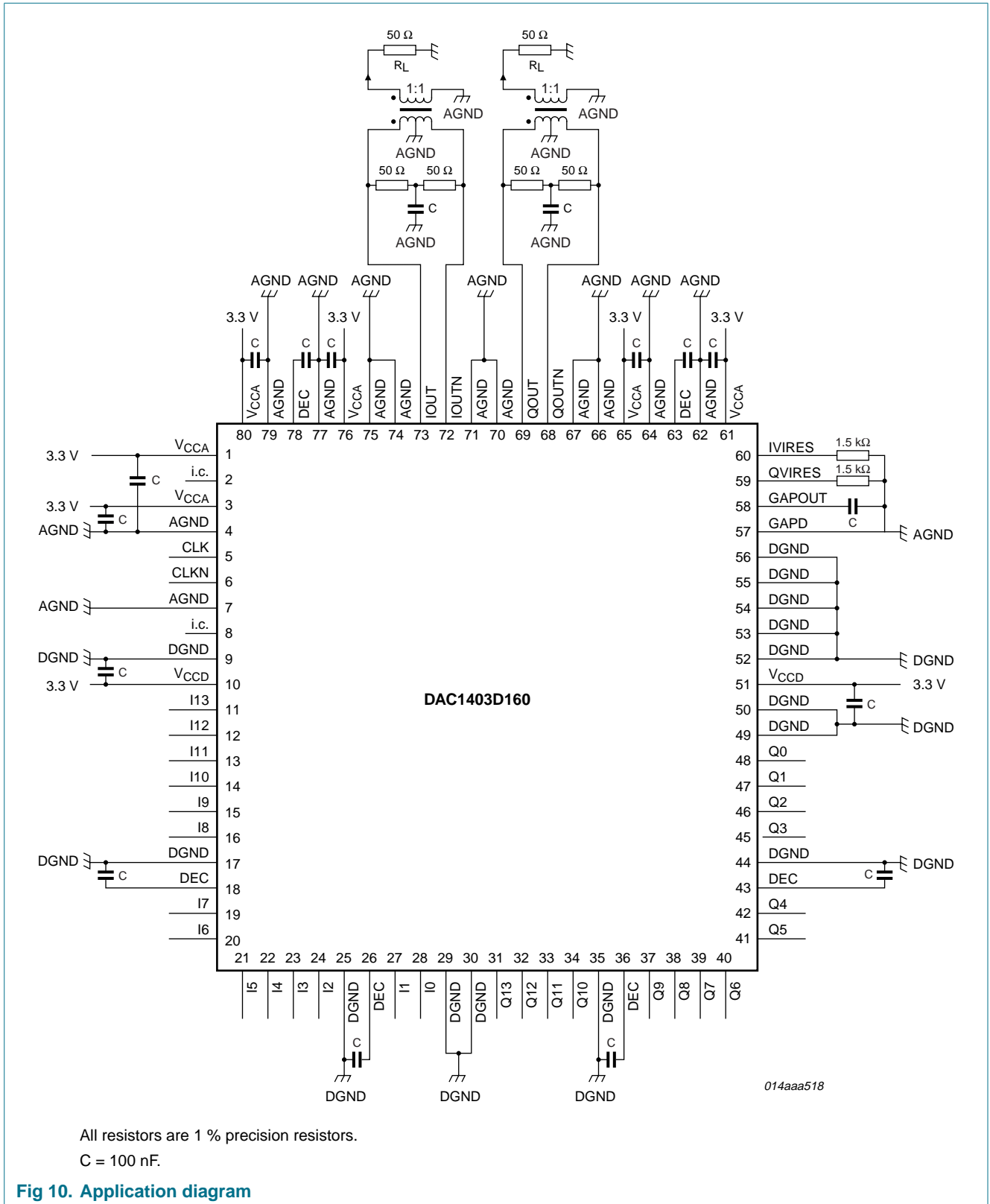
Coefficient	Coefficient	Value
H(1)	H(43)	10
H(2)	H(42)	0
H(3)	H(41)	-31
H(4)	H(40)	0
H(5)	H(39)	69
H(6)	H(38)	0
H(7)	H(37)	-138
H(8)	H(36)	0
H(9)	H(35)	248
H(10)	H(34)	0
H(11)	H(33)	-419
H(12)	H(32)	0
H(13)	H(31)	678
H(14)	H(30)	0
H(15)	H(29)	-1083
H(16)	H(28)	0
H(17)	H(27)	1776
H(18)	H(26)	0
H(19)	H(25)	-3282
H(20)	H(24)	0
H(21)	H(23)	10364
H(22)	-	16384

**11. Application information**



**Fig 8. Single-ended clock schematic**

**Fig 9. Differential clock schematic**



## 11.1 Alternative parts

The following alternative parts are also available:

**Table 8. Alternative parts**

Type number	Description		Sampling frequency
DAC1203D160	Dual 12 bits DAC, with 2 × interpolating	<a href="#">[1]</a>	160 MHz
DAC1003D160	Dual 10 bits DAC, with 2 × interpolating	<a href="#">[1]</a>	160 MHz

[1] Pin to pin compatible

12. Package outline

HTQFP80: plastic thermal enhanced thin quad flat package; 80 leads; body 12 x 12 x 1 mm; exposed die pad

SOT841-1

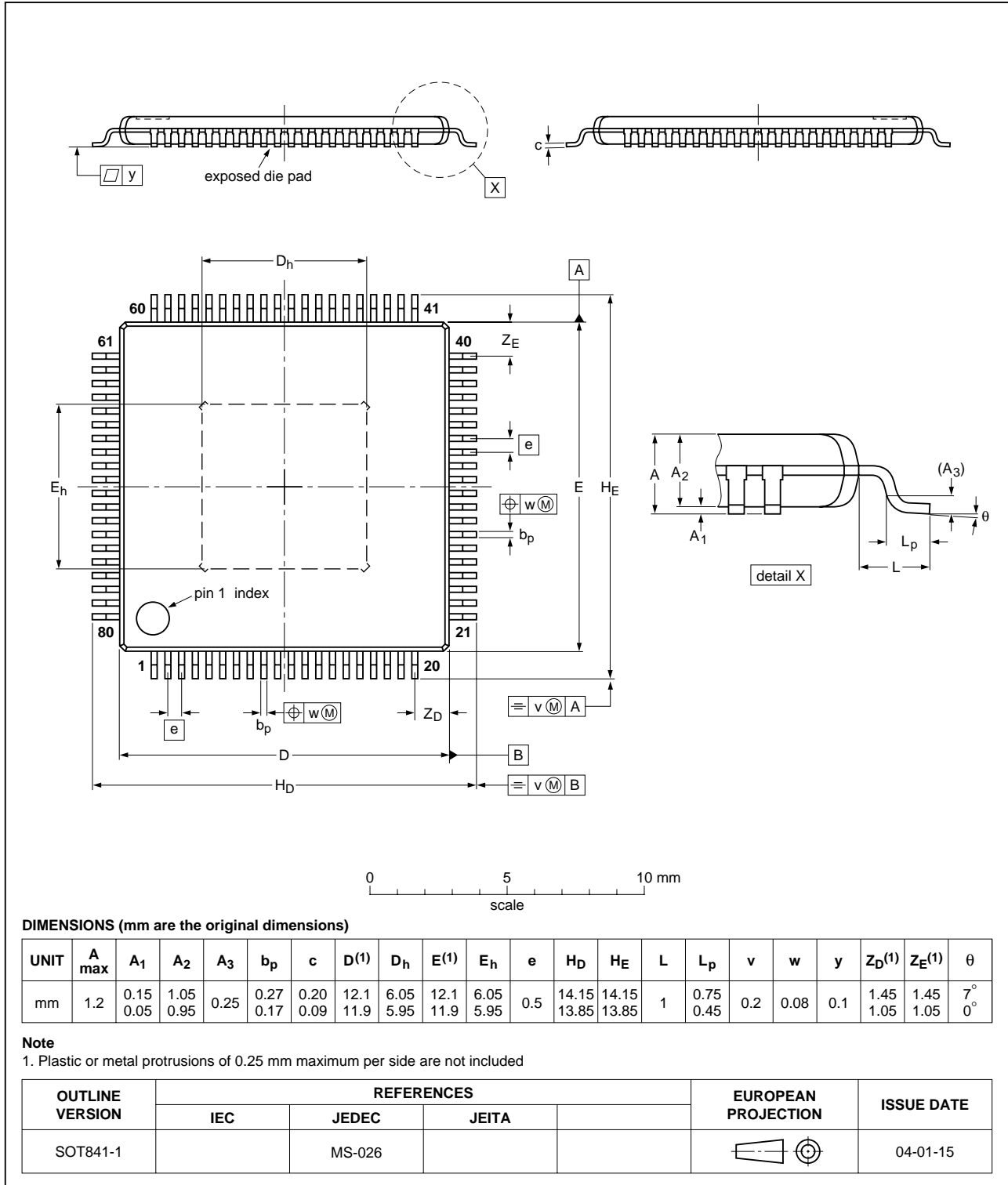


Fig 11. Package outline SOT841-1 (HTQFP80)

## 13. Abbreviations

Table 9. Abbreviations

Acronym	Description
BW	BandWidth
FIR	Finite Impulse Response
IF	Intermediate Frequency
LSB	Least Significant Bit
MSB	Most Significant Bit
PLL	Phase-Locked Loop
PMOS	Positive-Metal Oxide Semiconductor

## 14. Glossary

### 14.1 Static parameters

**DNL** — Differential Non-Linearity. The difference between the ideal and the measured output value between successive DAC codes.

**INL** — Integral Non-Linearity. The deviation of the transfer function from a best-fit straight line (linear regression computation).

### 14.2 Dynamic parameters

**IMD2** — Second-order intermodulation distortion. From a dual-tone digital input sine wave (these two frequencies are close together), the intermodulation distortion product IMD2 is the ratio of the RMS value of either tone and the RMS value of the worst 2nd-order intermodulation product.

**IMD3** — Third-order intermodulation distortion. From a dual-tone digital input sine wave (these two frequencies are close together), the intermodulation distortion product IMD3 is the ratio of the RMS value of either tone and the RMS value of the worst 3rd-order intermodulation product.

**S/N** — Signal-to-Noise ratio. The ratio of the RMS value of the reconstructed output sine wave to the RMS value of the noise excluding the harmonics and the DC component.

**THD** — Total Harmonic Distortion. The ratio of the RMS value of the harmonics of the output frequency to the RMS value of the output sine wave. Usually, the calculation of THD is done on the first 5 harmonics.

**SFDR** — Spurious-Free Dynamic Range. The ratio of the RMS value of the reconstructed output sine wave and the RMS value of the largest spurious (harmonic and non-harmonic, excluding DC component) observed in the frequency domain.



## 15. Revision history

Table 10. Revision history

Document ID	Release date	Data sheet status	Change notice	Supersedes
DAC1403D160_2	20080814	Product data sheet	-	DAC1403D160_1
Modifications:	<ul style="list-style-type: none"><li>• Corrections made to row Q0 in <a href="#">Table 2</a>.</li><li>• Added condition &amp; correction of value to <math>t_s</math> in <a href="#">Table 5</a>.</li><li>• Additional definition in <a href="#">Section 14</a>.</li></ul>			
DAC1403D160_1	20080616	Product data sheet	-	-

## 16. Legal information

### 16.1 Data sheet status

Document status <sup>[1][2]</sup>	Product status <sup>[3]</sup>	Definition
Objective [short] data sheet	Development	This document contains data from the objective specification for product development.
Preliminary [short] data sheet	Qualification	This document contains data from the preliminary specification.
Product [short] data sheet	Production	This document contains the product specification.

[1] Please consult the most recently issued document before initiating or completing a design.

[2] The term 'short data sheet' is explained in section "Definitions".

[3] The product status of device(s) described in this document may have changed since this document was published and may differ in case of multiple devices. The latest product status information is available on the Internet at URL <http://www.nxp.com>.

### 16.2 Definitions

**Draft** — The document is a draft version only. The content is still under internal review and subject to formal approval, which may result in modifications or additions. NXP Semiconductors does not give any representations or warranties as to the accuracy or completeness of information included herein and shall have no liability for the consequences of use of such information.

**Short data sheet** — A short data sheet is an extract from a full data sheet with the same product type number(s) and title. A short data sheet is intended for quick reference only and should not be relied upon to contain detailed and full information. For detailed and full information see the relevant full data sheet, which is available on request via the local NXP Semiconductors sales office. In case of any inconsistency or conflict with the short data sheet, the full data sheet shall prevail.

### 16.3 Disclaimers

**General** — Information in this document is believed to be accurate and reliable. However, NXP Semiconductors does not give any representations or warranties, expressed or implied, as to the accuracy or completeness of such information and shall have no liability for the consequences of use of such information.

**Right to make changes** — NXP Semiconductors reserves the right to make changes to information published in this document, including without limitation specifications and product descriptions, at any time and without notice. This document supersedes and replaces all information supplied prior to the publication hereof.

**Suitability for use** — NXP Semiconductors products are not designed, authorized or warranted to be suitable for use in medical, military, aircraft, space or life support equipment, nor in applications where failure or

malfunction of an NXP Semiconductors product can reasonably be expected to result in personal injury, death or severe property or environmental damage. NXP Semiconductors accepts no liability for inclusion and/or use of NXP Semiconductors products in such equipment or applications and therefore such inclusion and/or use is at the customer's own risk.

**Applications** — Applications that are described herein for any of these products are for illustrative purposes only. NXP Semiconductors makes no representation or warranty that such applications will be suitable for the specified use without further testing or modification.

**Limiting values** — Stress above one or more limiting values (as defined in the Absolute Maximum Ratings System of IEC 60134) may cause permanent damage to the device. Limiting values are stress ratings only and operation of the device at these or any other conditions above those given in the Characteristics sections of this document is not implied. Exposure to limiting values for extended periods may affect device reliability.

**Terms and conditions of sale** — NXP Semiconductors products are sold subject to the general terms and conditions of commercial sale, as published at <http://www.nxp.com/profile/terms>, including those pertaining to warranty, intellectual property rights infringement and limitation of liability, unless explicitly otherwise agreed to in writing by NXP Semiconductors. In case of any inconsistency or conflict between information in this document and such terms and conditions, the latter will prevail.

**No offer to sell or license** — Nothing in this document may be interpreted or construed as an offer to sell products that is open for acceptance or the grant, conveyance or implication of any license under any copyrights, patents or other industrial or intellectual property rights.

### 16.4 Trademarks

Notice: All referenced brands, product names, service names and trademarks are the property of their respective owners.

## 17. Contact information

For more information, please visit: <http://www.nxp.com>

For sales office addresses, please send an email to: [salesaddresses@nxp.com](mailto:salesaddresses@nxp.com)

**18. Contents**

1 **General description** ..... 1

2 **Features** ..... 1

3 **Applications** ..... 1

4 **Ordering information** ..... 2

5 **Block diagram** ..... 2

6 **Pinning information** ..... 3

6.1 Pinning ..... 3

6.2 Pin description ..... 3

7 **Functional description** ..... 6

8 **Limiting values** ..... 7

9 **Thermal characteristics** ..... 7

10 **Characteristics** ..... 8

11 **Application information** ..... 12

11.1 Alternative parts ..... 14

12 **Package outline** ..... 15

13 **Abbreviations** ..... 16

14 **Glossary** ..... 16

14.1 Static parameters ..... 16

14.2 Dynamic parameters ..... 16

15 **Revision history** ..... 17

16 **Legal information** ..... 18

16.1 Data sheet status ..... 18

16.2 Definitions ..... 18

16.3 Disclaimers ..... 18

16.4 Trademarks ..... 18

17 **Contact information** ..... 18

18 **Contents** ..... 19

Please be aware that important notices concerning this document and the product(s) described herein, have been included in section 'Legal information'.



© NXP B.V. 2008.

All rights reserved.

For more information, please visit: <http://www.nxp.com>

For sales office addresses, please send an email to: [salesaddresses@nxp.com](mailto:salesaddresses@nxp.com)

Date of release: 14 August 2008

Document identifier: DAC1403D160\_2