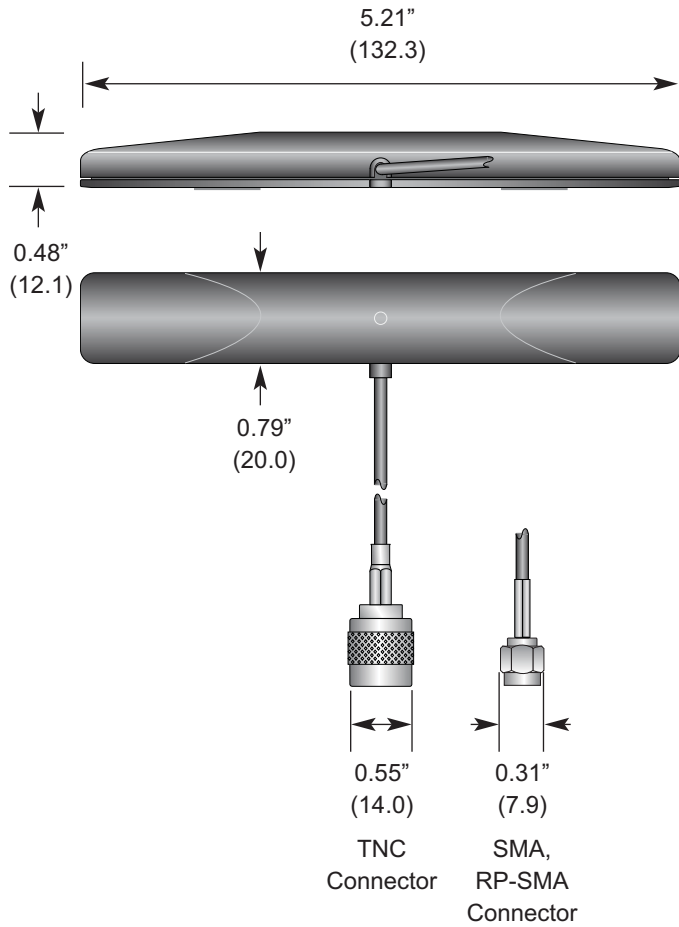


Product Dimensions



Description



The HDP Series is a compact, center-fed antenna that achieves efficient operation at any or all of three frequency bands. Its durable, unobtrusive housing attaches permanently with integral adhesive to flat, non-conductive surfaces such as windows, drywall, ceiling tiles, plastic, etc. The antenna is supplied with 9.8 feet (3m) of RG-174 cable and can be terminated in a TNC, standard SMA, or FCC Part 15 compliant RP-SMA connector.

Features

- Tri-band (824-960MHz, 1.71-1.99GHz, and 2.401-2.483GHz)
- Center-fed from the side
- Surface-mount
- Low VSWR
- Excellent performance
- Omni-directional pattern
- Fully weatherized, durable & unobtrusive
- TNC, SMA, or RP-SMA connector

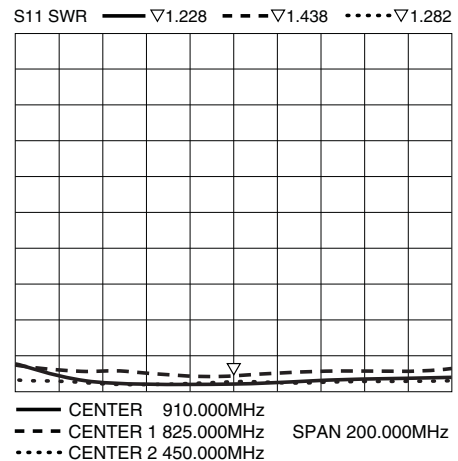
Electrical Specifications

- | | |
|---------------------|----------------------------|
| • Recm. Freq. Range | Band 1 824-960MHz |
| | Band 2 1.71-1.99GHz |
| | Band 3 2.40-2.48GHz |
| • Wavelength | 1/2-wave |
| • VSWR | Band 1 ≤1.5 typ. at center |
| | Band 2 ≤1.9 typ. at center |
| | Band 3 ≤1.9 typ. at center |
| • Impedance | 50 ohms |
| • Connector | TNC, SMA, or RP-SMA |
| • Cable | 9.8' RG-174 coax |

Ordering Information

- ANT-DB1-HDP-TNC (with TNC connector)
- ANT-DB1-HDP-SMA (with SMA connector)
- ANT-DB1-HDP-RPS (with RPS connector)

VSWR Graph



Typical VSWR